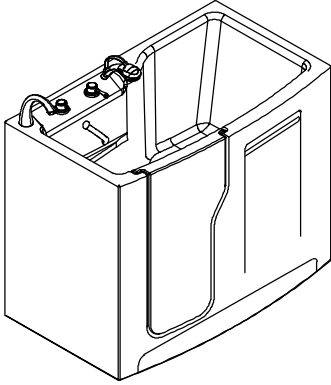
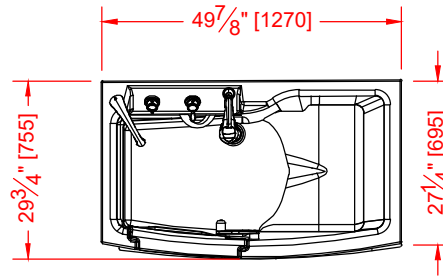


MODEL: RC2 - PACIFIC

*ALL ACCESSORIES OPTIONAL



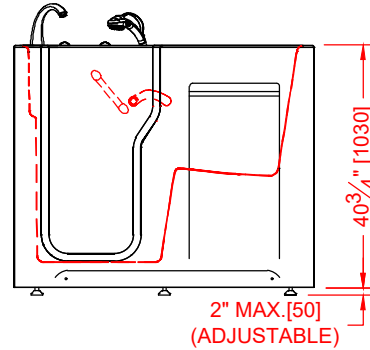
PERSPECTIVE VIEW - N.T.S.
MODEL SHOWN HERE AS:
 LEFT DOOR
 RIGHT SEAT
 (LEFT HAND MODEL SHOWN)



TOP VIEW - SCALE $\frac{3}{8}'' = 1'-0''$

Features:

- Walk in style bathtub with an inward left or right swinging door
- Hot & Cold Water Supply Connections: $\frac{3}{4}''$ NPT - male
- TMV Thermal mixing valve, access from top (side mounted for ease of reach)
- Factory installed overflow and cable drain assembly
- Drain Outlet: 2" PVC. Includes a 2" to 1-1/2" PVC reducer shipped loose
- Seat height is designed for ease of sitting and standing (non-slip surface included)
- Optional heated back & seat, air spa, water jet, aroma and chroma therapy upgrades available
- Optional deck extension and/or wall surround
- One (1) removable front access panel
- Contoured reclined seat
- Paricare void
- Free standing or built in design
- Reverse plumbing capable



FRONT ELEVATION - SCALE: $\frac{3}{8}'' = 1'-0''$

PRODUCT SPECIFICATIONS:

- Walk-in soaker or jetted bathtub shall be of gelcoat/composite construction with aircraft grade aluminum welded frame, have a front access panel, a cable drain with safety chain, solid brass roman deck mount thermo mixing valve (chrome finish std.; brush nickel and oil rub bronze optional.)
- Rough-In: Stud opening +1/4" -0" Nominal Dimensions.

C.S.I. FORMAT SPECIFICATION TEXT AVAILABLE

PRODUCT INFORMATION:

- Accessories: factory installed tub bar and optional plumbing rough-in, all other accessories installed by others
- Colors: White standard, Others: Bone
- Total weight of soaker tub, bather, and water: approx. 950 lbs.
- Weight capacity (occupant): 350 pounds
- 6 adjustable feet from 0" to 2"
- Bathwell Capacity (unoccupied - at overflow level): 75 gallons; water depth 30 1/2" from tub floor

OPTIONAL ACCESSORIES:

INSTALLED AT FACTORY:

- Thermostatic mixing valve Roman tub filler package options: brush nickel or oil rubbed bronze
- Heated back & seat, CleanRane™ air spa, water jet, aroma and chroma therapy upgrades
- End panels (order as left, right or both panels for free standing installations)

INSTALLED BY OTHERS:

- Grab bars for installation on wall surround
- Wall surround
- Deck extension (fill typical alcove)
- Head pillow with suction cups
- Gel pillow
- Gel seat cushion
- 3/4" supply lines (3' or 5' available)

CODES:

Designed and manufactured in compliance with the following standards and codes:

- C.S.A. B45.5-11 / A.N.S.I. Z124-2011 Plastic Plumbing Fixtures
- C.S.A. C22.2 #218.1-2013
- A.S.M.E. A112.19.7M-2012 Whirlpool Bathtub Appliances
- A.S.M.E. A112.19.8M-2012 Suction Fittings for use in Whirlpool Bathtubs
- Underwriters Laboratories 1795 Hydro Massage Bathtubs

NOTICE OF LIMITATION:



We reserve the right to make revisions without notice in the design of fixtures or in packaging unless this right has specifically been waived at the time the order is accepted.