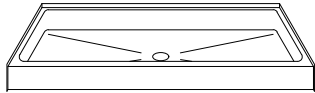


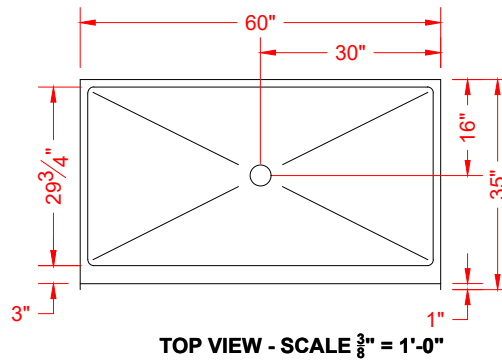
MODEL: P6034AFR*

REMODELER

*ALL ACCESSORIES OPTIONAL



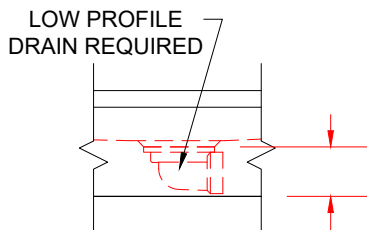
PERSPECTIVE VIEW - N.T.S.



TOP VIEW - SCALE $\frac{3}{8}'' = 1'-0''$

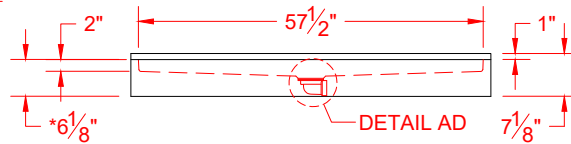
Features:

- Molded, one-piece, gelcoat fiberglass shower pan
- Above floor rough allows for a minimum of 3" clearance from the bottom of the drain recess to the sub floor




3" CLEARANCE BETWEEN DRAIN RECESS AND SUBFLOOR

DETAIL AD - SCALE: N.T.S.
AFR DETAIL



FRONT ELEVATION - SCALE: $\frac{3}{8}'' = 1'-0''$

***OTHER THRESHOLD HEIGHTS AVAILABLE UPON REQUEST
MAX TRIM HEIGHT OF 7-1/2"**

<p>PRODUCT SPECIFICATIONS: -Single-piece shower pan shall be constructed of gelcoat/fiberglass -Rough-In: Stud opening +1/4" -0" Nominal Dimensions.</p> <p>C.S.I. FORMAT SPECIFICATION TEXT AVAILABLE</p>		
<p>PRODUCT INFORMATION: -Accessories: Factory installed, unless prone to damage during installation/shipping. Polished chrome/satin stainless standard, others available. -Colors: White as standard, others to match any major fixture manufacturer, also available with sprayable solid surface in many colors</p>	<p>OPTIONAL ACCESSORIES: INSTALLED BY OTHERS: -No-caulk brass drain</p>	<p>CODES: Designed and manufactured in compliance with the following standards and codes: -ANSI Z124.2 Standards for Plastic Showers -ANSI A117.1 B - Accessible and Usable Buildings and Facilities -IPC International Plumbing Code -UPC Uniform Plumbing Code</p>
		<p>NOTICE OF LIMITATION:</p>
<p> <i>We reserve the right to make revisions without notice in the design of fixtures or in packaging unless this right has specifically been waived at the time the order is accepted.</i></p>		
<p>page 1 of 1</p>		