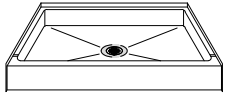


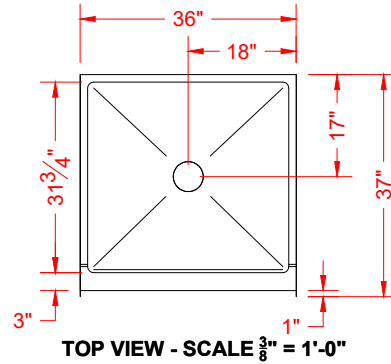
MODEL: P3636AFR*

REMODELER

*ALL ACCESSORIES OPTIONAL

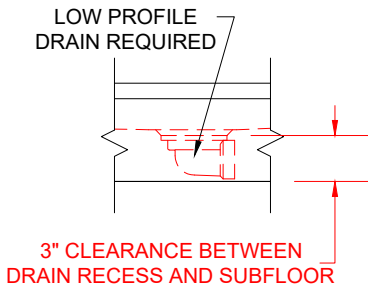


PERSPECTIVE VIEW - N.T.S.

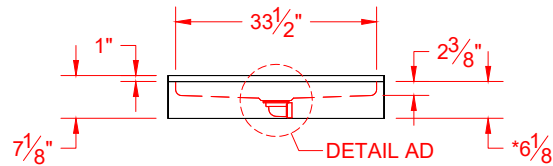


Features:

- Molded, one-piece gelcoat/fiberglass shower pan
- Above floor rough allows for a minimum of 3" clearance from the bottom of the drain recess to the sub floor



DETAIL AD - SCALE: N.T.S.
AFR DETAIL



***OTHER THRESHOLD HEIGHTS AVAILABLE UPON REQUEST
MAX TRIM HEIGHT OF 7-1/2"**

PRODUCT SPECIFICATIONS: -Single-piece shower pan shall be constructed of gelcoat/fiberglass -Rough-In: Stud opening +1/4" -0" Nominal Dimensions. C.S.I. FORMAT SPECIFICATION TEXT AVAILABLE		
PRODUCT INFORMATION: -Accessories: Factory installed, unless prone to damage during installation/shipping. Polished chrome/satin stainless standard, others available. -Colors: White as standard, others to match any major fixture manufacturer, also available with sprayable solid surface in many colors	OPTIONAL ACCESSORIES: INSTALLED BY OTHERS: -No-caulk brass drain	CODES: Designed and manufactured in compliance with the following standards and codes: -ANSI Z1241.2 Standards for plastic Bathtubs and Showers -IPC International Plumbing Code -UPC Uniform Plumbing Code
NOTICE OF LIMITATION:		



We reserve the right to make revisions without notice in the design of fixtures or in packaging unless this right has specifically been waived at the time the order is accepted.