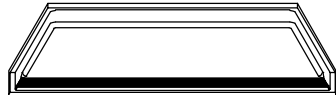


MODEL: P26337A75FTB.V3*

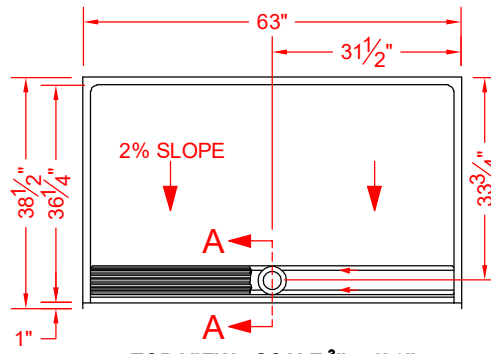
*ALL ACCESSORIES OPTIONAL



SEE OVER



PERSPECTIVE VIEW - N.T.S.

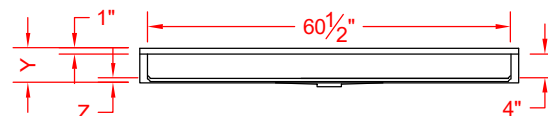


TOP VIEW - SCALE $\frac{3}{8}'' = 1'-0''$

Features:

- ADA compliant single-piece roll-in shower pan with trench drain and stainless steel grate.
- Molded, one-piece gelcoat/fiberglass shower pan
- Available in various threshold heights
- On all threshold heights 1-1/4" or shorter no mud set is required, but an epoxy adhesive kit is supplied
- On all threshold heights 1-1/2" or taller, no mud set is required

*OTHER THRESHOLD HEIGHTS AVAILABLE UPON REQUEST



FRONT ELEVATION - SCALE: $\frac{3}{8}'' = 1'-0''$

MODEL #	UNIT THRESHOLD HEIGHT	
	Y	Z*
P26337A75FTB.V3	5-3/4"	3/4" MIN
P26337A2FTB.V3	7"	2" MAX

* - SEE BACK FOR DETAIL SECTIONS

PRODUCT SPECIFICATIONS:

- Single-piece shower pan shall be constructed of gelcoat/fiberglass and have a stainless steel trench drain grate with magnetic attachment.
- Rough-In: Stud opening +1/4" / -0" nominal dimensions.

C.S.I. FORMAT SPECIFICATION TEXT AVAILABLE

PRODUCT INFORMATION:

- Accessories: Factory installed, unless prone to damage during installation/shipping. Polished chrome/satin stainless standard, others available. (not applicable to pans/bases)
- Colors: White as standard, others to match any major fixture manufacturer, also available with sprayable solid surface in many colors
- Custom curb heights, other than shown, are available (between min. and max.)

OPTIONAL ACCESSORIES:

- INSTALLED BY OTHERS:
- Trench grate and No-caulk brass drain (INCLUDED)

CODES:

- Designed and manufactured in compliance with the following standards and codes:
- ANSI Z124.2 Standards for Plastic Showers
 - ADA Accessibility Guidelines for Buildings and Facilities
 - ANSI A117.1 A - Accessible and Usable Buildings and Facilities
 - ANSI A117.1 B - Accessible and Usable Buildings and Facilities
 - IPC International Plumbing Code
 - UPC Uniform Plumbing Code

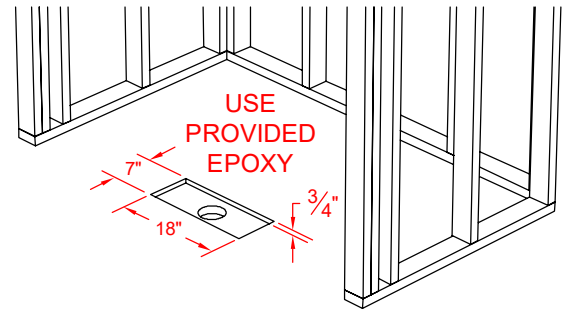
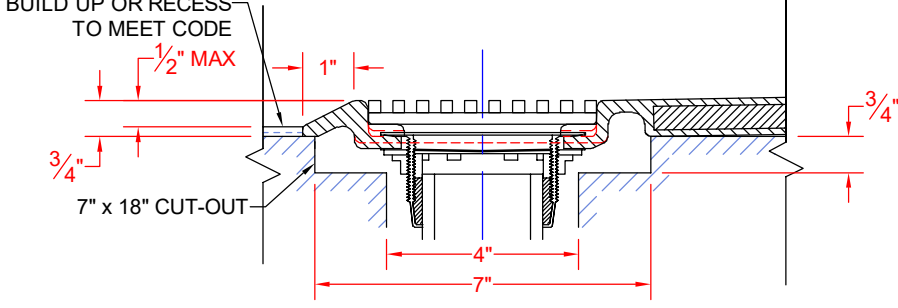
NOTICE OF LIMITATION:

- Recess as needed for trench; see page 2
- Recess as needed to meet code
- Adhere to floor as required



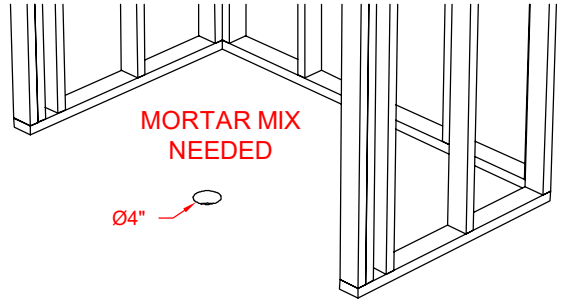
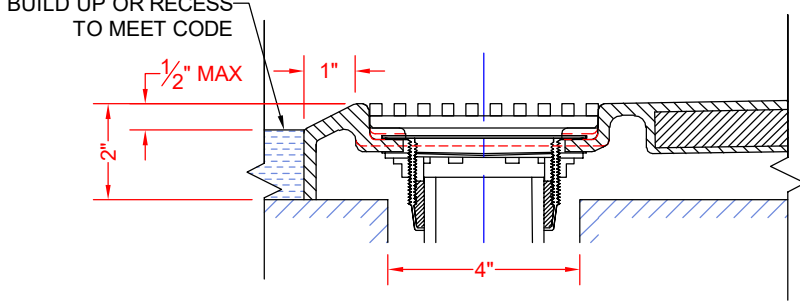
We reserve the right to make revisions without notice in the design of fixtures or in packaging unless this right has specifically been waived at the time the order is accepted.

P26337A75FTB.V3



SECTION A-A - SCALE: 3" = 1'-0" FOR MODELS ENDING IN A75FT*.V3, INSTALLATION REQUIRES A 7" x 18" x 3/4" CUT-OUT.

P26337A2FTB.V3



SECTION A-A - SCALE: 3" = 1'-0" FOR MODELS ENDING IN A15FT*.V3, A17FT*.V3, OR A2FT*.V3, INSTALLATION REQUIRES A 4" DRAIN HOLE.

****OTHER THRESHOLD HEIGHTS AVAILABLE UPON REQUEST****