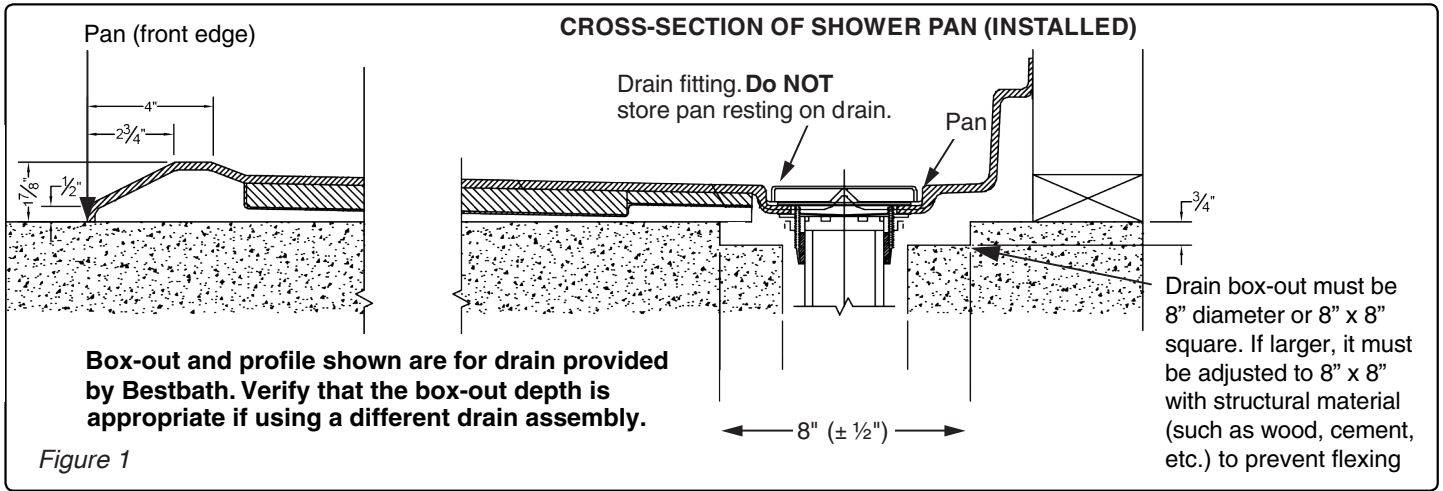


## Rear Trench Pan



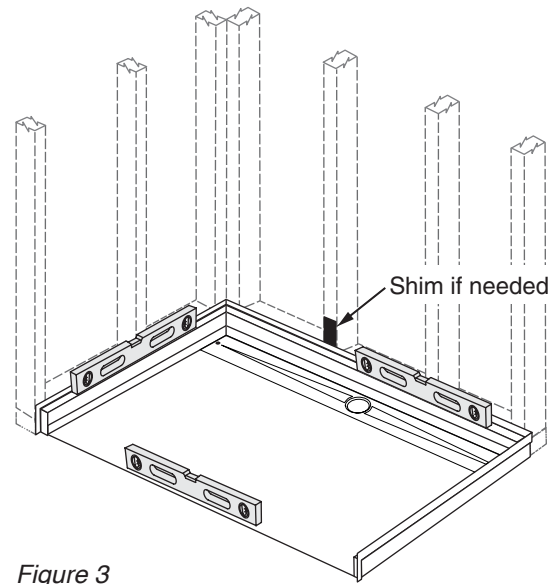
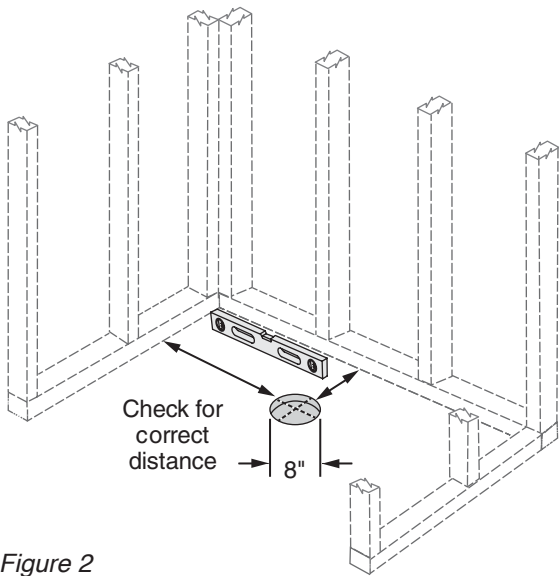
1147

**CAUTION: IF NOT INSTALLED PROPERLY, THE SHOWER MAY NOT PERFORM AS DESIGNED AND WILL NOT BE COVERED BY THE WARRANTY.**



**1** Check shower pocket area for level and for correct dimensions. Make sure drain hole in floor is the correct distance from studs and centered in the 8" x 8" x 3/4" deep box-out.

**2 DRY-FIT THE PAN:** Set pan in the pocket and use a level to ensure that the unit is level and positioned correctly. If the unit is out of level, re-check the subfloor to ensure that it meets the required specifications. Shim if necessary.



**!** Drain box-out must be 8" diameter or 8" x 8" box-out and 3/4" deep. Drain pipe must be centered in box-out.

# Pan Installation

## INSTALLING A REAR TRENCH PAN

- 3** Place a level as shown in Figure 4 and verify that there is slope towards the drain.

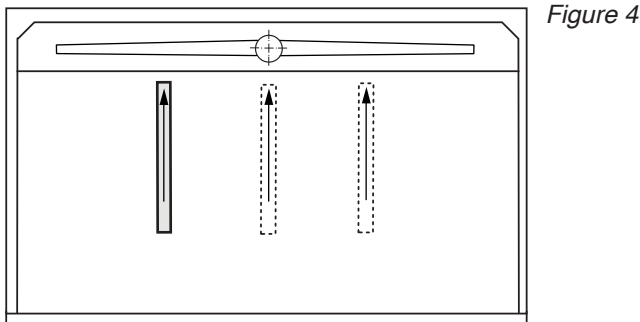


Figure 4

- 4** Once the unit is level and the slope has been verified, draw a line on the floor along the shower entry. Then, prop the pan up to apply epoxy on the floor (see step 5). At this point, have a plumber install the drain fitting in the pan bottom and prepare the drain pipe to receive the drain. (see page 3 steps 10-13) **DO NOT LET THE PAN REST ON THE DRAIN.** This will cause the shower bottom to deform.

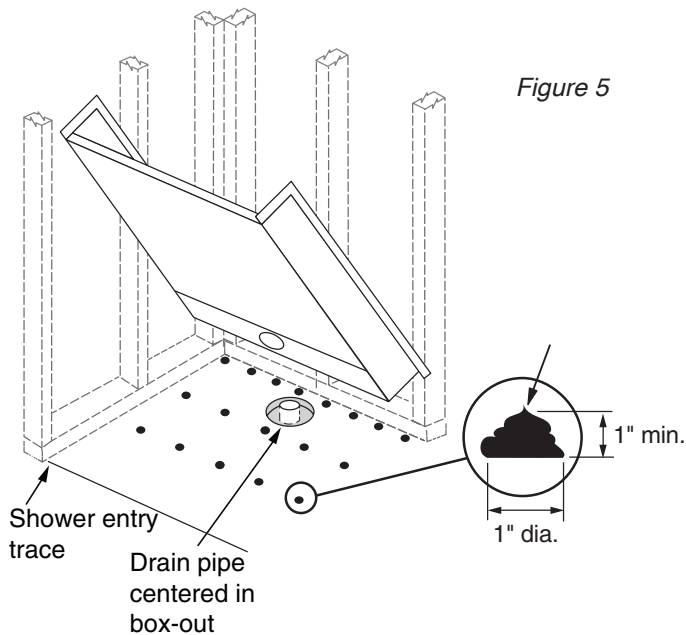


Figure 5

- 5** Sweep the subfloor and remove all debris from the pocket area and the underside of the unit so the supplied epoxy will adhere properly. The floor may be damp, but there should be no standing water. Figure 6 shows the epoxy pattern required for installation.

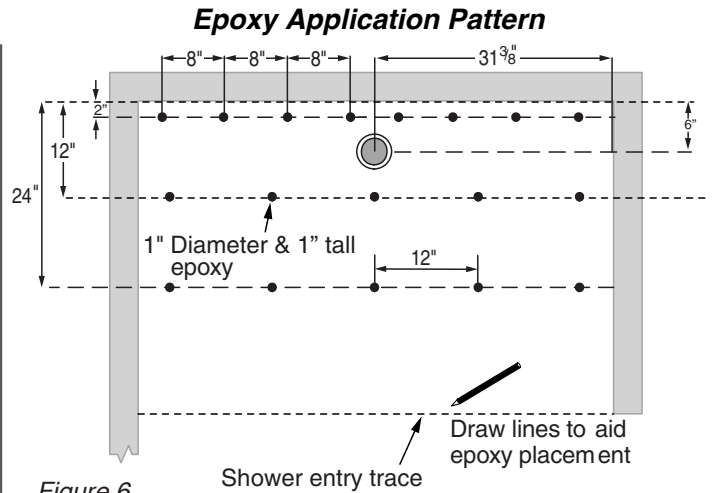


Figure 6

- 6 PLACE THE UNIT BACK IN POSITION.** Make sure it aligns with line drawn in Step 4. **Avoid stepping in shower until epoxy has cured.**

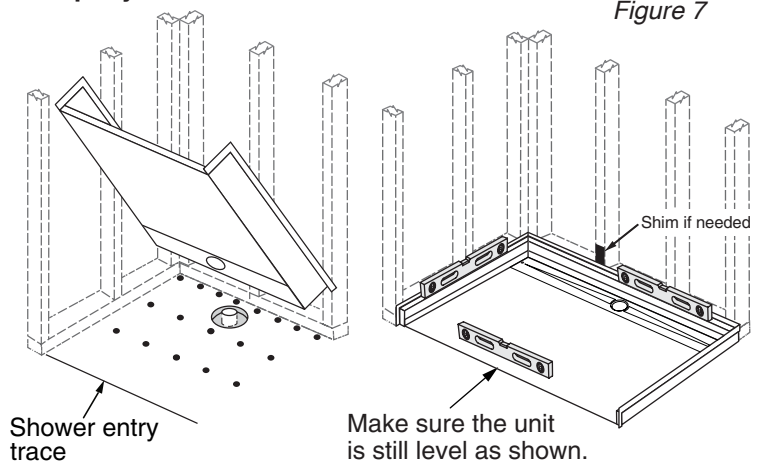


Figure 7

- 7 PLACE 50 POUNDS OF WEIGHT** on top of the drain, as shown in Figure 8 to ensure the pan is making contact with the epoxy.

**!** **DO NOT** walk in pan until epoxy has cured.

**TIP:** To monitor cure time, place epoxy between two pieces of scrap wood, squeeze wood to be approximately 1/8" apart.

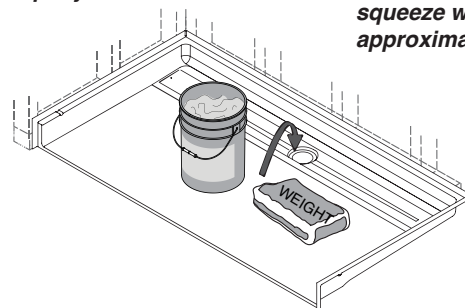


Figure 8

### Weight Recommendations

An initial weight of roughly 50 pounds is required to bond the unit to the subfloor. Use a level to make sure there is slope to the drain; the level should sit flat against the shower floor (without rocking).

# Pan Installation

## INSTALLING A FRONT TRENCH PAN

- 8 Pour water or check the shower floor with a level to ensure proper drainage. If in doubt, remove the unit and review the previous steps.
- 9 Monitor the cure time samples from Step 7. When the pieces of scrap wood are bonded and epoxy is hard, remove weight and screw flanges to framing. Pre-drill the nailing flanges to avoid cracking the gel coat. **Be sure to avoid stepping inside the shower bottom until the epoxy has fully cured.**

## INSTALLING A NO-CAULK DRAIN

### No-Caulk Drain Installation

- 10 Remove inside compression nut and compression gasket.
- 11 Apply silicone or plumber's putty around shower drain hole, on the inside of shower only.
- 12 Install drain body in shower drain hole.
- 13 Install rubber gasket, fiber gasket and locking nut; tighten locking nut.
- 14 Install shower over drain pipe (or install pipe later.)
- 15 Slide inside compression gasket into drain body and slip over pipe. **Make sure beveled end of inside compression gasket is facing up and is flush with pipe surface.**
- 16 Tighten inside compression nut into drain body using the tool provided. Keep grate support bracket with drain grate until ready to install.

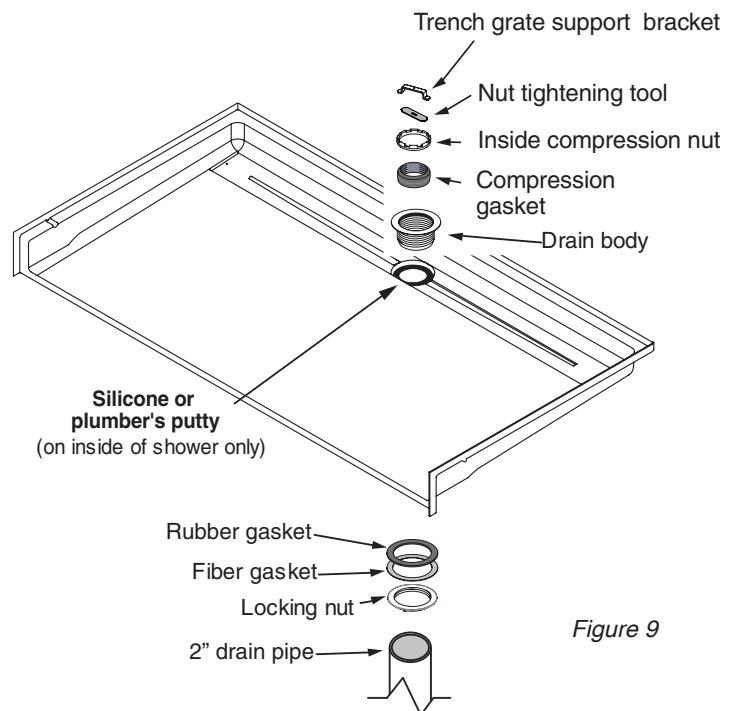


Figure 9

# Rear Trench Drain Pan

## INSTALLING THE TRENCH GRATE

Bestbath now offers two grate types: traditional screw-down or magnetic. First determine which grate you have, then follow the appropriate steps below.

- 17** Gather required parts and tools.

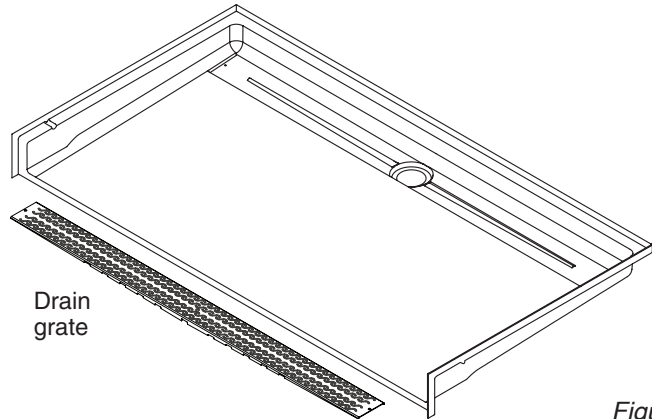
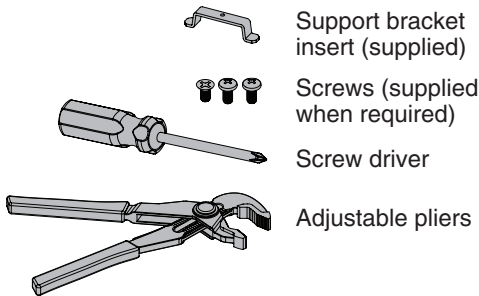


Figure 10

- 18** Using the adjustable pliers, snap the support bracket into the groove in the drain fitting. The top surface of the support bracket should be flush with the top surface of drain pyramids. (Figure 11)

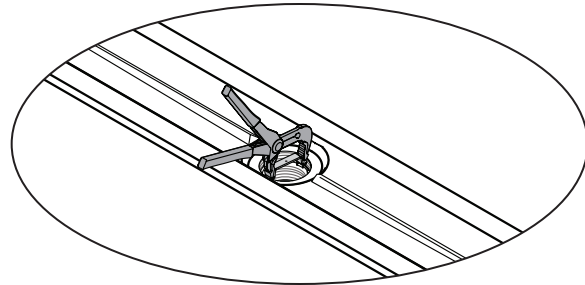


Figure 11

- 19** For screw-down grate:

Set the drain grate in place and line up the two outside mounting holes. Then check to see if the center hole is aligned with the threaded hole in the support bracket.

If the center mounting hole does not line up, remove drain grate and adjust support bracket to center the location of the threaded mounting hole. (Figure 12)

**For magnetic grate:**

Place grate in trench. Check that it is centered both front to back and side to side. Press down firmly to ensure magnets make solid contact.

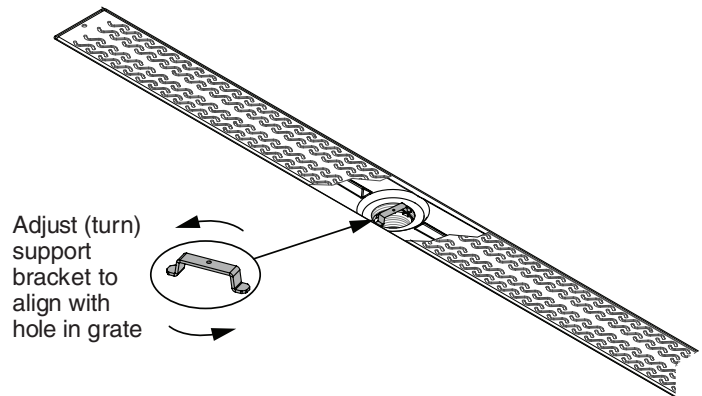


Figure 12

- 20** For screw-down grate:

When all mounting holes are aligned, install the flat head screw in center hole (A). **Do not tighten.** Then install the two pan head screws in each of the end mounting holes (B) **Do not tighten.** Once all screws are in place, tighten screw in center first, then tighten screws in the end holes. (Figure 13)

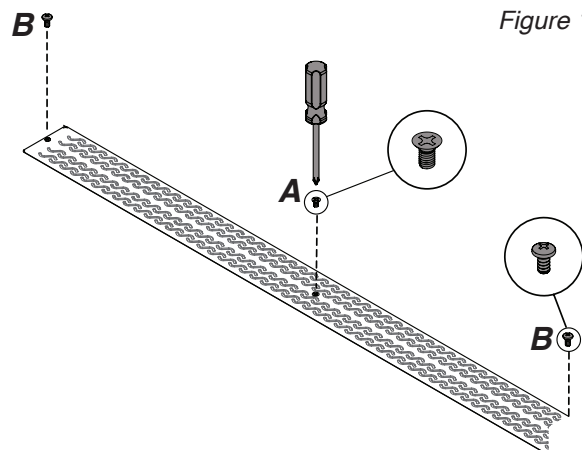


Figure 13