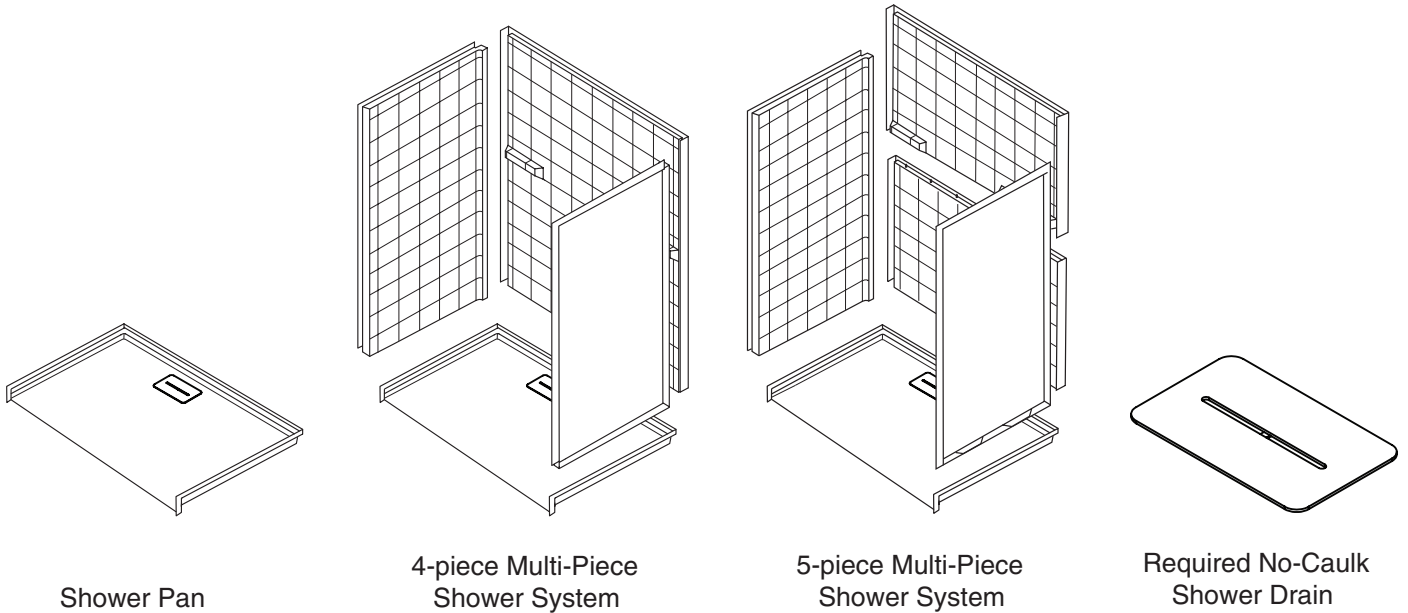


This packet includes installation instructions for the Bestbath® products shown below.
(These instructions also available at www.bestbath.com)



Shower Pan

4-piece Multi-Piece Shower System

5-piece Multi-Piece Shower System

Required No-Caulk Shower Drain

INITIAL SETUP

Pre-Installation Prep	2
Preparing the Shower Pocket (For Multi-Piece Units) ..	2

PAN INSTALLATION

Installing A Shower Pan With A Rear Square Drain	3
Installing Required No-Caulk Drain	4

WALL INSTALLATION

Installing Shower Walls	5-7
-------------------------------	-----

Before you begin installation, please carefully read all instructions regarding the proper installation of your shower unit.

PRE-INSTALLATION PREP

1 CHECK PARTS INVENTORY

If any parts are damaged, immediately file a claim with the carrier. Minor damage (scuffs and scrapes) can be touched up later.

FOR SHOWER BASE ONLY

- Pan
- No-caulk drain
- Square screen

FOR MULTI-PIECE UNITS

- Side walls
- Back wall (1 or 2 pieces, depending on model)
- Joint sealant
- Construction adhesive (Depending on model)
- Suction cups (Depending on model)
- *Optional:* Flange trim kit for walls

2 GATHER SUPPLIES

FOR SHOWER BASE ONLY

- Drywall screws (1½")

FOR MULTI-PIECE UNITS

- Drywall screws (1½")
- Shim wedges
- Four pieces 2x4 lumber, 8 ft. long (for walls; see Step 2 at right)

Please read all instructions provided in this guide prior to installation.

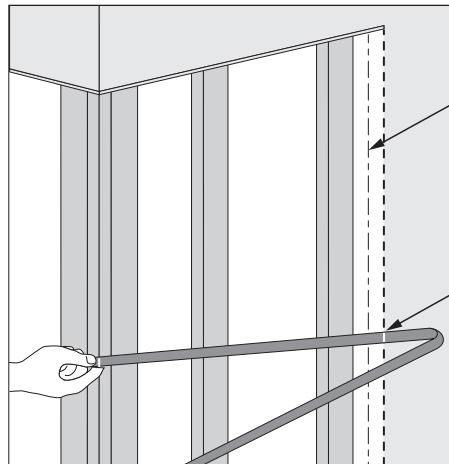
PREPARING SHOWER POCKET (FOR MULTI-PIECE ONLY)



Top of nailing flange, plus 1".

- 1** Mark and cut out drywall to fit back and side walls of shower. Remove drywall 1" beyond side wall and top nailing flanges. (Figures 1 and 2)

Figure 1



Front edge of side wall flange

Measuring from the corner, cut out drywall 1" beyond shower side wall flange

Figure 2

- 2** Install studs to provide support for flange and drywall attachment. (Figure 3)

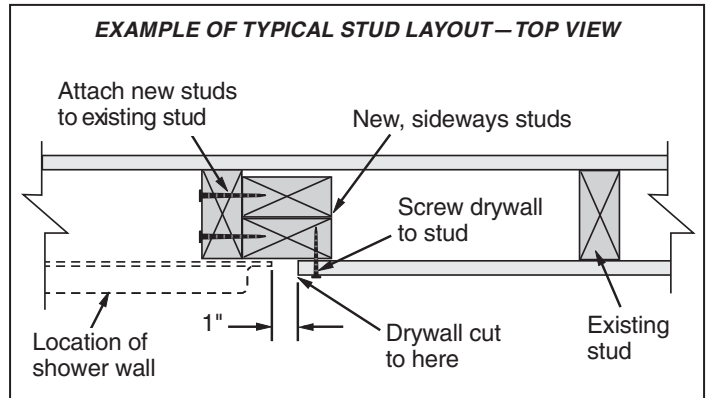


Figure 3

- 3** Rough in plumbing valve and drain per manufacturer's specifications.

Pan Installation

INSTALLING A SHOWER PAN WITH A REAR SQUARE DRAIN



CAUTION: IF NOT INSTALLED PROPERLY, THE SHOWER PAN MAY NOT PERFORM AS DESIGNED AND WILL NOT BE COVERED BY THE WARRANTY.

- 1 Check the shower pocket for level and for correct dimensions. Make sure the drain hole in the floor is in the correct position.

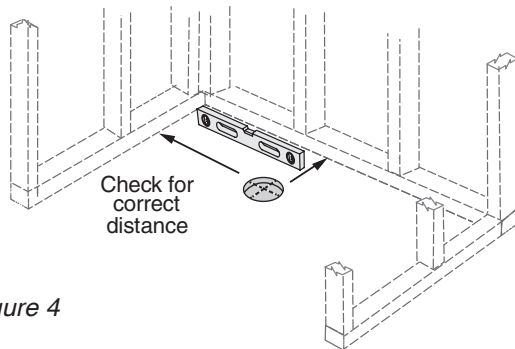


Figure 4

- 2 **DRY-FIT SHOWER:** Set shower pan in the pocket. You **MUST** use a level to ensure the unit is level. Shim if necessary.

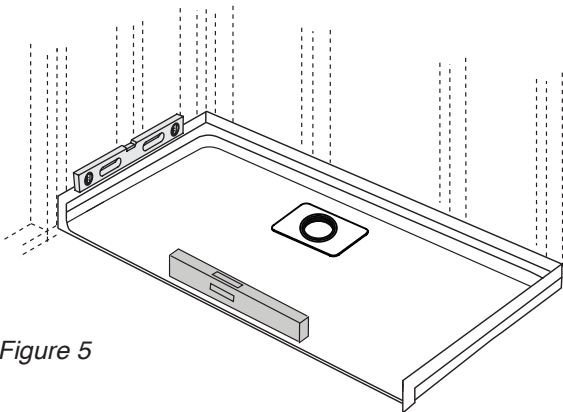


Figure 5

- 3 Remove shower base from the framing pocket. Have a plumber install drain fitting in shower bottom (see Steps 7–10 on page 4) Plumber should also prepare drain pipe to receive the drain.



To avoid deforming the shower bottom, once drain fitting is installed DO NOT store the unit resting on the drain.

- 4 Sweep the floor and remove all debris from pocket. Then, place the pan back in the pocket.
- 5 Make sure floor drains properly by pouring water on it or ensuring that there is slope towards the drain with a level. If in doubt, remove pan and review the previous steps.

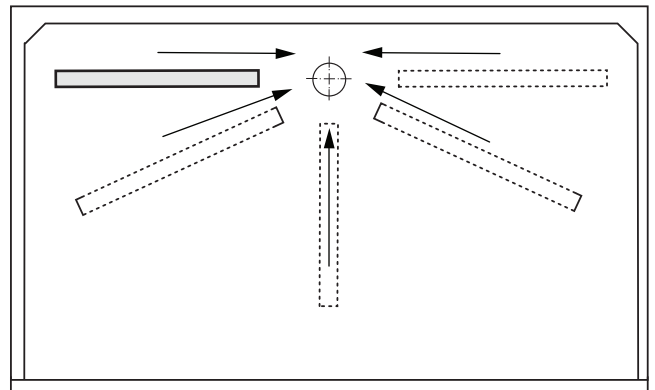


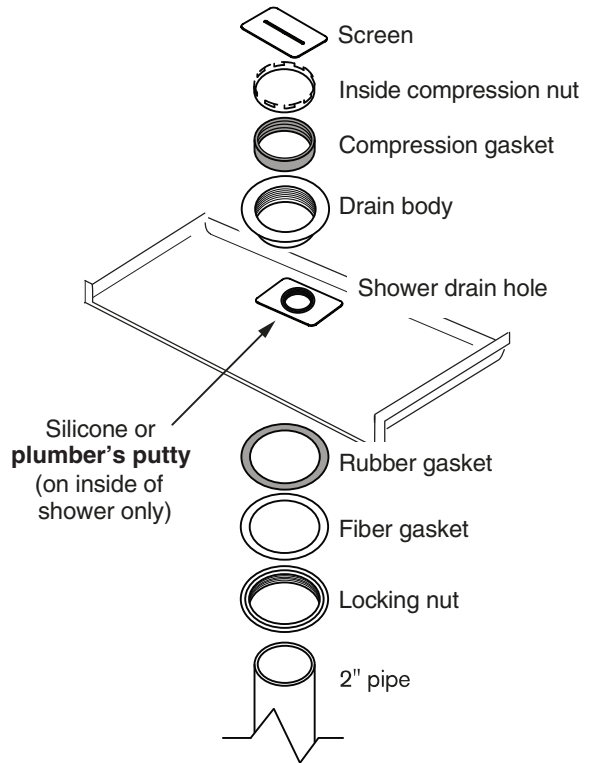
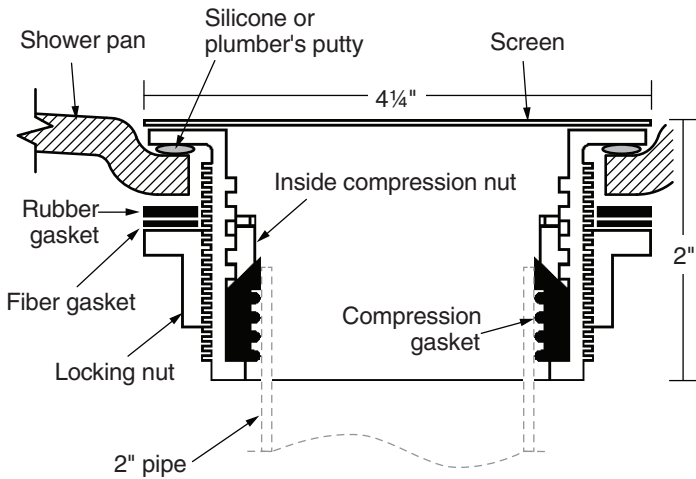
Figure 6

- 6 Predrill the nailing flanges to avoid cracking the gel coat and screw flanges to framing. Complete drain installation (Steps 12-14 on page 4).

(continued on page 4)

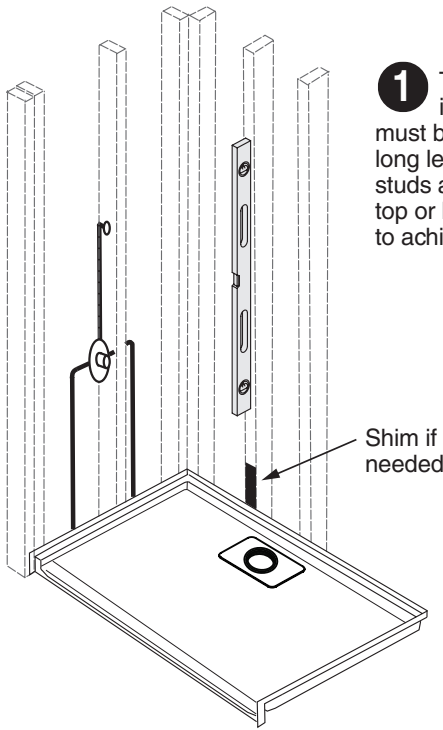
INSTALLING REQUIRED NO-CAULK SHOWER DRAIN

CROSS-SECTION OF DRAIN (INSTALLED)

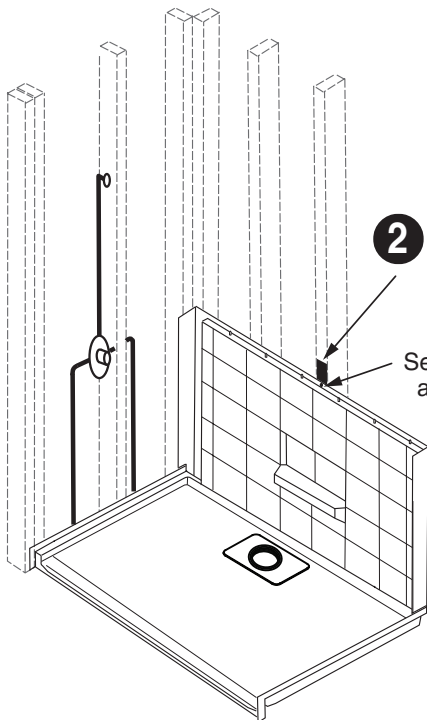


- 7** Remove inside compression nut and compression gasket.
- 8** Apply silicone or plumber's putty around shower drain hole on the inside of shower only.
- 9** Install drain body in shower drain hole.
- 10** Install rubber gasket, fiber gasket and locking nut; tighten locking nut.
- 11** Install shower pan over drain pipe (or install pipe later.)
- 12** Slide inside compression gasket into drain body and slip over pipe. **Make sure beveled end of inside compression gasket is facing up and is flush with pipe surface.**
- 13** Tighten inside compression nut into drain body using the tool provided.
- 14** Insert square screen into the drain and press until it snaps in place.

INSTALLING SHOWER WALLS



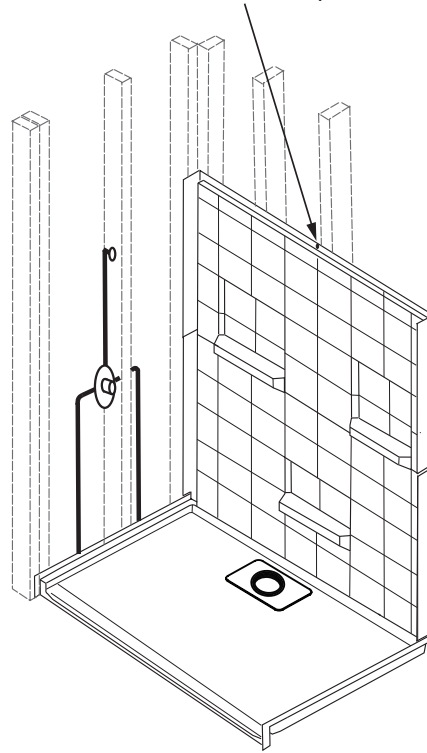
- 1** To ensure proper installation, walls must be plumb. Use a long level to recheck studs and add shims at top or bottom, if needed, to achieve plumb.



- 2** Place lower back wall panel. Shim if needed to ensure plumb.

Secure panel with a single screw in center stud.

- 3** Place upper panel and hold it in place with one screw near the center. **Do not completely tighten screw.** Add shims to keep wall straight if needed.

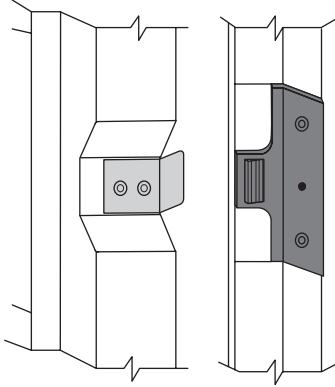


- 4** Drill plumbing holes in side wall panel; then proceed to side wall installation. (Step 5A or 5B on page 6)

INSTALLING SHOWER WALLS (CONTINUED)

If your walls have SnapJoint hardware as shown in 5A, proceed with steps A1 and A2 below.

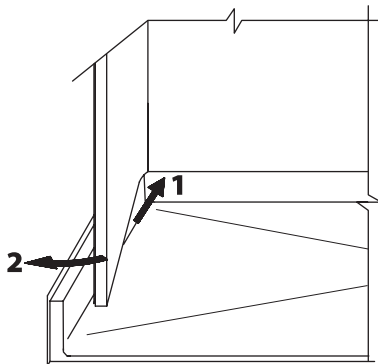
5A SnapJoint Walls



A1 Installing valve wall:

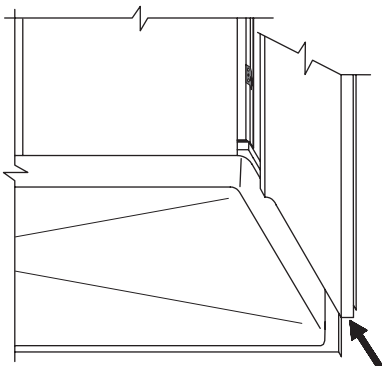
If parts of the shower valve and/or pipe nipple stick out:

- (1) Completely insert side wall at an angle to clear plumbing;
- (2) Rotate the wall into place;
- (3) Push wall until front is flush with pan.



A2 Installing non-valve wall:

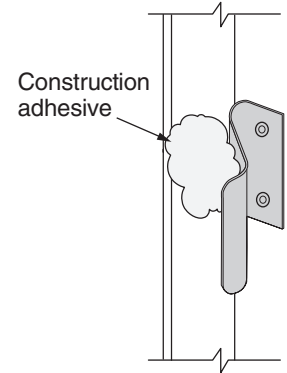
Rest side wall on pan ledge, then push it into the wall channel until front is flush with pan.



If your walls have SpringClip hardware as shown in 5B, proceed with steps B1 through B3 below.

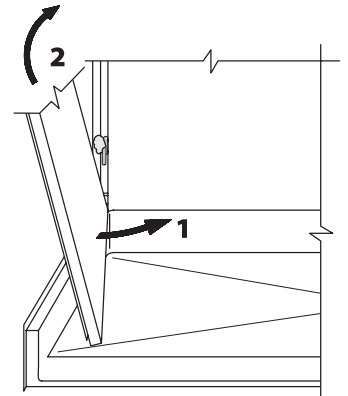
5B SpringClip Walls

- B1** Unless you are doing a dry fit first, apply a generous dollop of construction adhesive (included) between the flange and the back of each SpringClip as shown. After applying the adhesive, proceed directly to step B2.

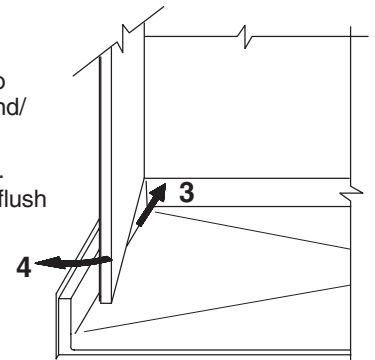


B2 Installing valve wall:

- (1) Holding side wall angled inward, insert it at the lowest SpringClip first.
- (2) Pivot the wall up to engage the remaining clips.

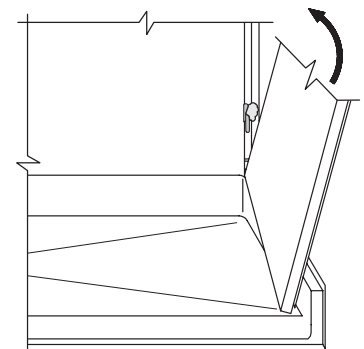


- (3) Keep side wall completely inserted but still angled to clear the shower valve and/or pipe nipple.
- (4) Rotate wall over plumbing. Push wall in until front is flush with pan.



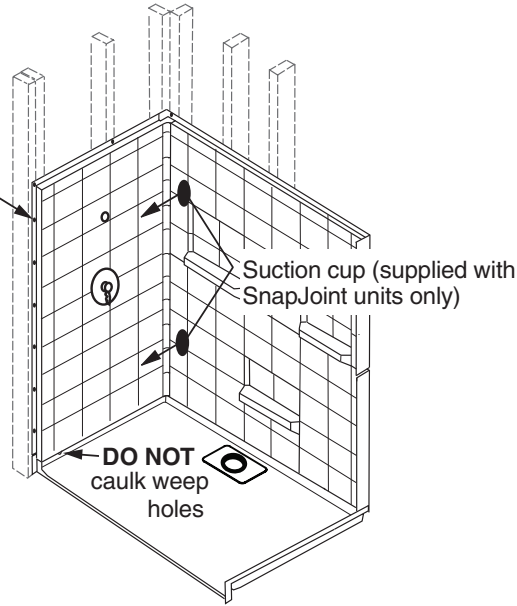
B3 Installing non-valve wall:

Holding side wall angled inward, insert it at the lowest SpringClip first, then rotate wall in to insert it at the higher clips. Push wall in until front is flush with pan.



INSTALLING SHOWER WALLS (CONTINUED)

6 With walls firmly pushed down and front edge of side wall aligned with front edge of pan, screw through side wall flanges into framing.



7 For SnapJoint Walls ONLY: With a suction cup on lower back wall panel, pull it firmly forward until back and side walls are pulled together. You will hear a series of clicks as the panel locking clip engages. Repeat with upper panel.

8 Screw top flange of back wall to studs.

9 Apply silicone caulk in all joints **except weep holes**, which are located near the front on the seam between the pan and side wall.