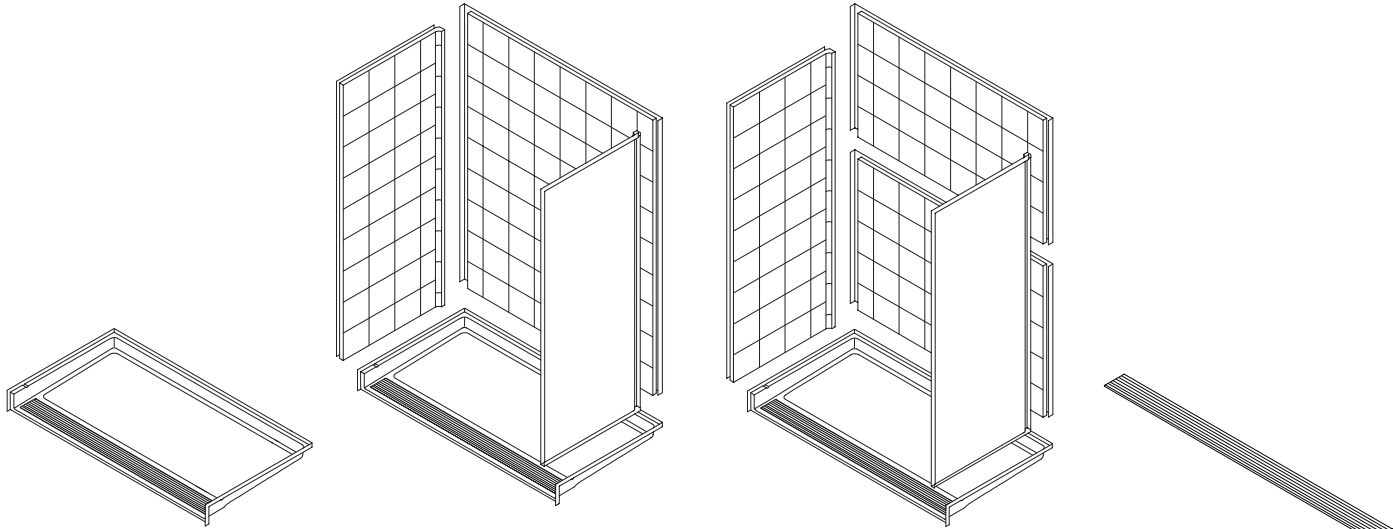


Multi-Piece Shower with Trench Drain V3

for models requiring mud-set



This packet includes installation instructions for the Bestbath® products shown below.
(These instructions also available at www.bestbath.com)



Shower Pan

4-piece Multi-Piece Shower System with Trench Drain

5-piece Multi-Piece Shower System with Trench Drain

Shower Grate

INITIAL SETUP

Pre-Installation Prep 2
 Preparing the Shower Pocket (For Multi-Piece Units) .. 2

PAN INSTALLATION

Installing A Front Trench Pan 3–4
 Installing No-Caulk Drain 5

WALL INSTALLATION

Installing Shower Walls 6–7

**Before you begin installation,
 please carefully read all instructions
 regarding the proper installation of
 your shower unit.**

Initial Setup

PRE-INSTALLATION PREP

1 CHECK PARTS INVENTORY

If any parts are damaged, immediately file a claim with the carrier. Minor damage (scuffs and scrapes can be touched up later.

FOR SHOWER BASE ONLY

- Front Trench Pan
- Shower Grate
- No-Caulk Drain

FOR MULTI-PIECE UNITS

- Side Walls
- Back Wall (1 or 2 pieces, depending on model)
- Joint Sealant
- Construction Adhesive (Depending on model)
- Suction Cups (Depending on model)
- *Optional:* Flange Trim Kit For Walls

2 GATHER SUPPLIES

FOR SHOWER BASE ONLY

- Drywall Screws (1½")
- Mud-set

FOR MULTI-PIECE UNITS

- Drywall Screws (1½")
- Shim Wedges
- Four pieces 2x4 lumber, 8 ft. long (For walls; see Step 2 at right)

Please read all instructions provided in this guide prior to installation.

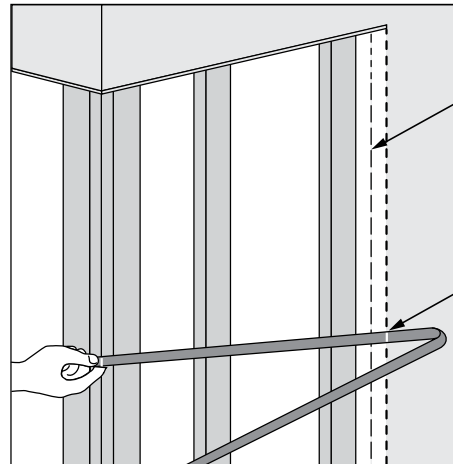
PREPARING SHOWER POCKET



Top of nailing flange, plus 1".

- 1 Mark and cut out drywall to fit back and side walls of shower. Remove drywall 1" beyond side wall and top nailing flanges. (Figures 1 and 2)

Figure 1



Front edge of side wall flange

Measuring from the corner, cut out drywall 1" beyond shower side wall flange

Figure 2

- 2 Install studs to provide support for flange and drywall attachment. (Figure 3)

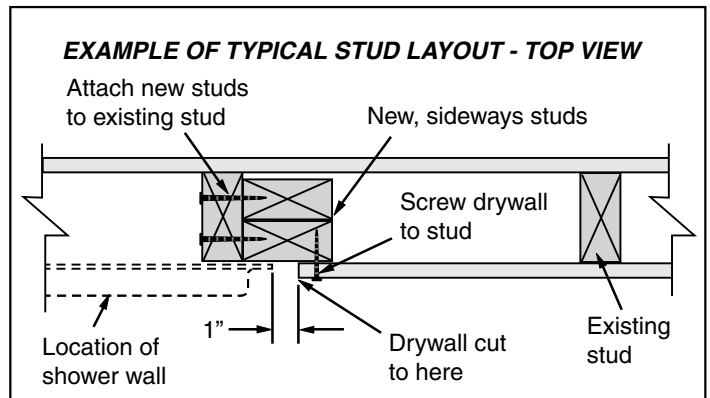


Figure 3

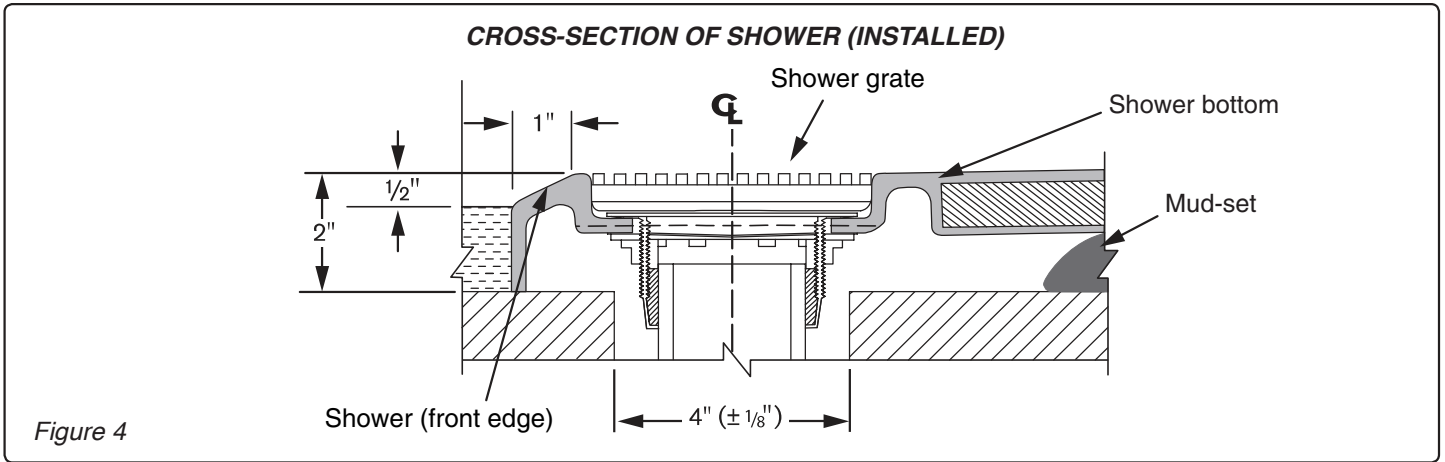
- 3 Rough in plumbing valve and drain per manufacturer's specifications.

Pan Installation

INSTALLING A FRONT TRENCH PAN



CAUTION: IF NOT INSTALLED PROPERLY, THE SHOWER MAY NOT PERFORM AS DESIGNED AND WILL NOT BE COVERED BY THE WARRANTY.



1 Check shower pocket area for level and for correct dimensions. Make sure drain hole in floor is in the correct position. (Figure 5)

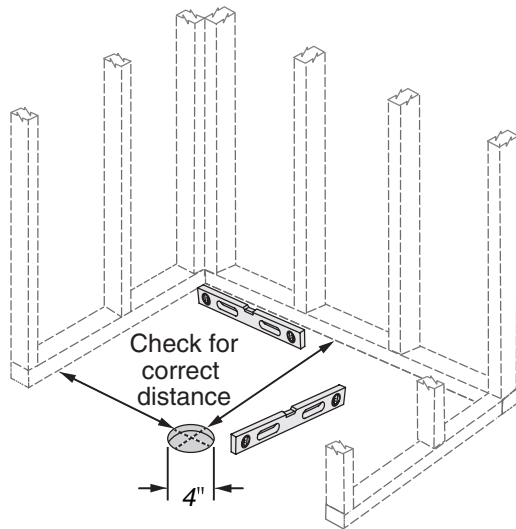


Figure 5

2 **DRY-FIT THE SHOWER:** Set pan in the pocket and use a level to ensure that the unit is level and positioned correctly. If the unit is out of level, re-check the subfloor to ensure that it meets the required specifications. Shimming is allowed on the back leveling blocks.

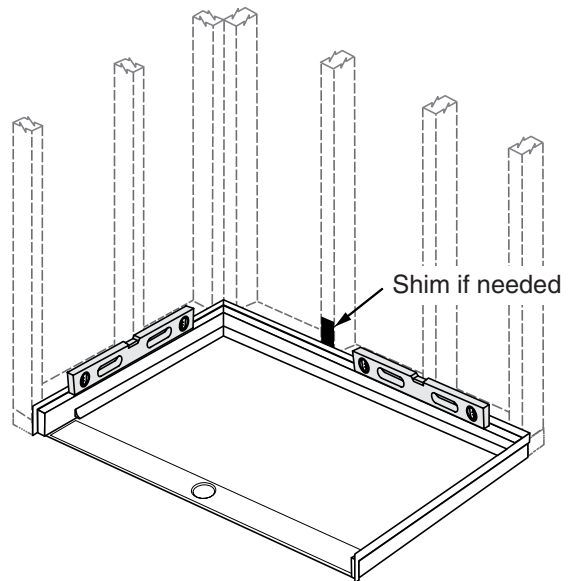


Figure 6

(continued on page 4)

Pan Installation

INSTALLING A FRONT TRENCH PAN

- 3 Place a level as shown in Figure 7 and verify that there is slope towards the drain.

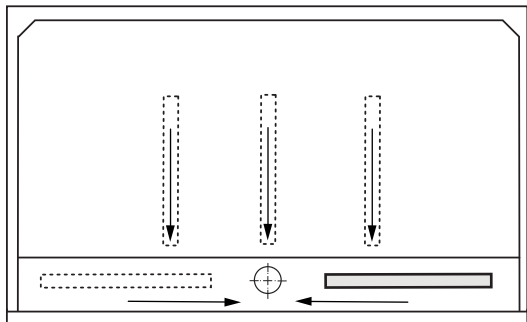


Figure 7

- 4 Once the unit is level and the slope has been verified, draw a line on the floor along the shower entry. Then prop the pan up as shown in Figure 8. At this point, have a plumber install the drain fitting in the pan bottom and prepare the drain pipe to receive the drain (see page 5 step 9-12). **DO NOT LET THE PAN REST ON THE DRAIN.** This will cause the shower bottom to deform.

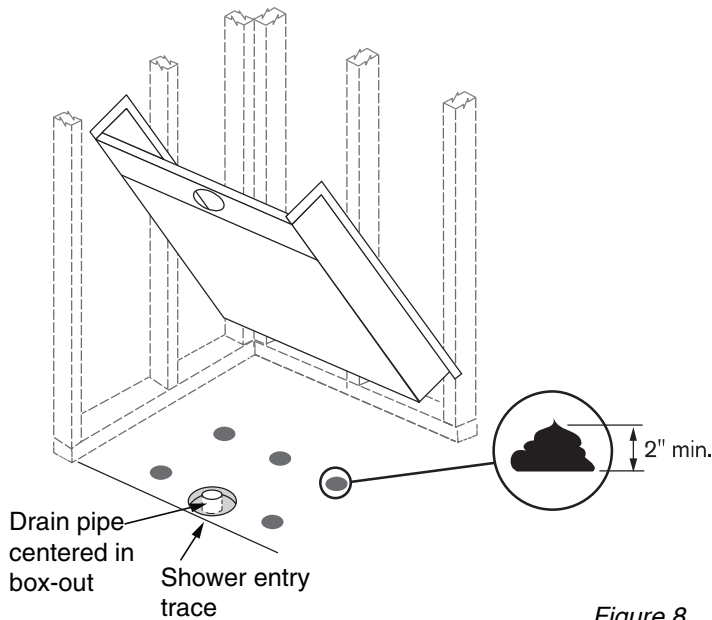


Figure 8

- 5 Sweep the subfloor and remove all debris from the pocket area and under the shower pan so the mud-set will adhere properly. Figure 9 shows the required mud-set pattern for installation.

! For proper performance, it is critical that mud-set is placed exactly as shown.

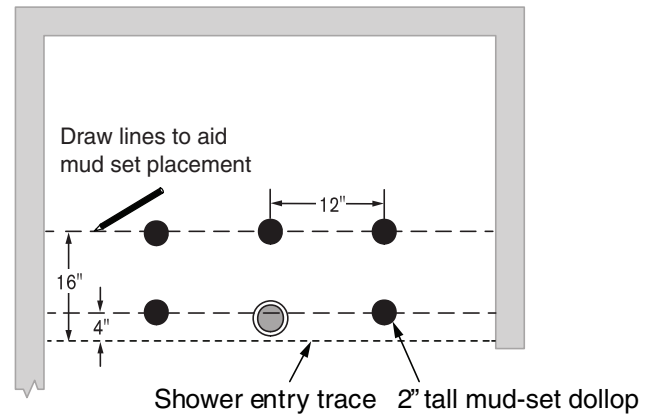


Figure 9

- 6 **PLACE THE UNIT BACK IN POSITION;** do not drag or slide it. Make sure the unit's front aligns with the line drawn in Step 4. **Avoid stepping inside the shower pan until mud-set has dried per manufacturer instructions.**

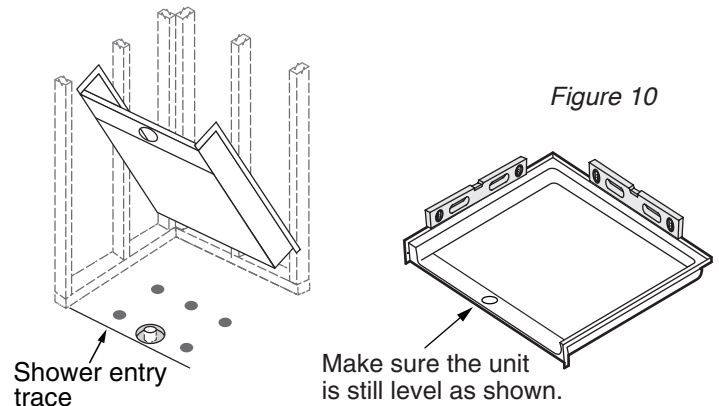


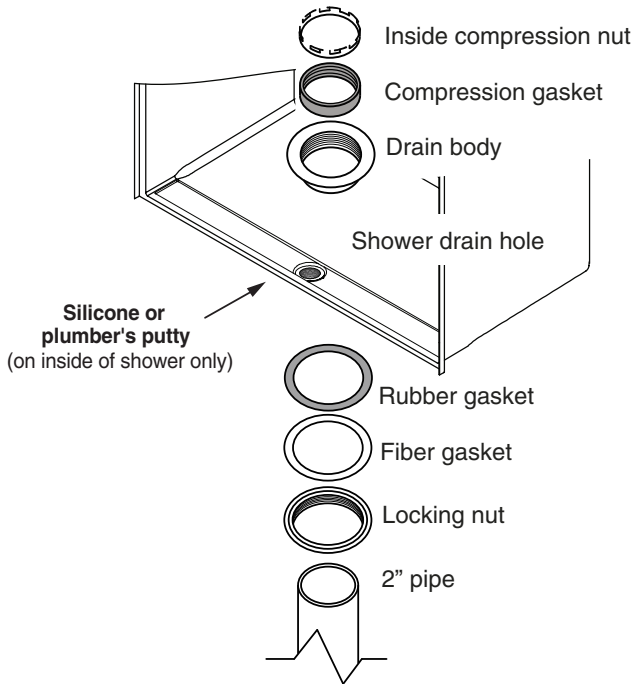
Figure 10

- 7 Pour water or check that there is slope towards the drain with a level to ensure proper drainage. If in doubt, remove the unit and review the previous steps.
- 8 When mud-set is fully dry, screw flanges to framing. Pre-drill the nailing flanges to avoid cracking the gelcoat.

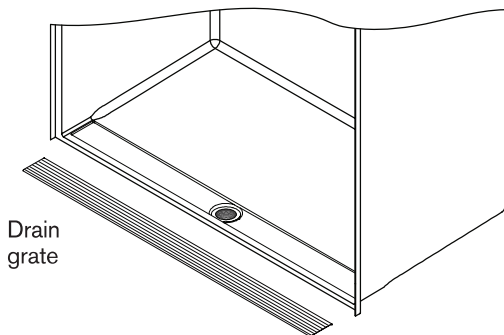
INSTALLING NO-CAULK DRAIN

No-Caulk Drain Installation

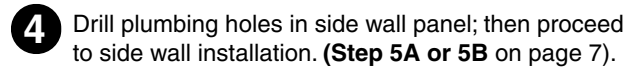
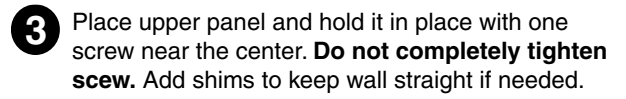
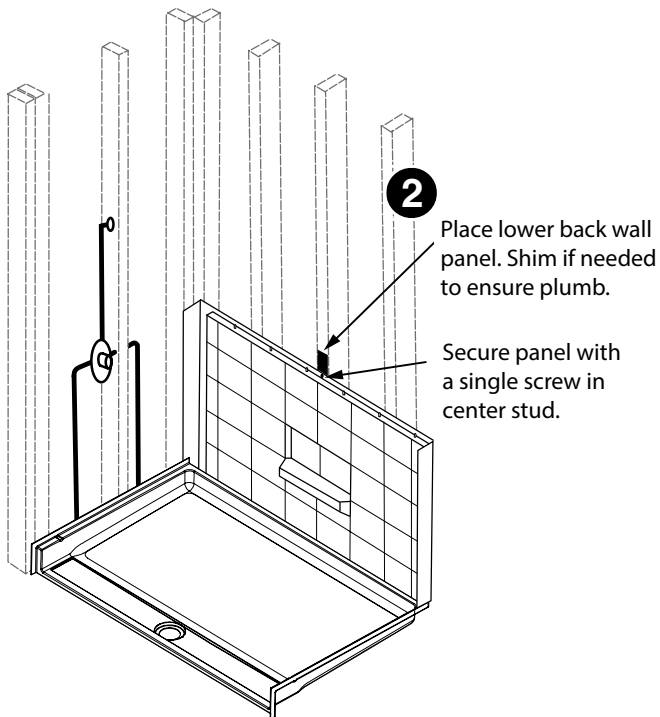
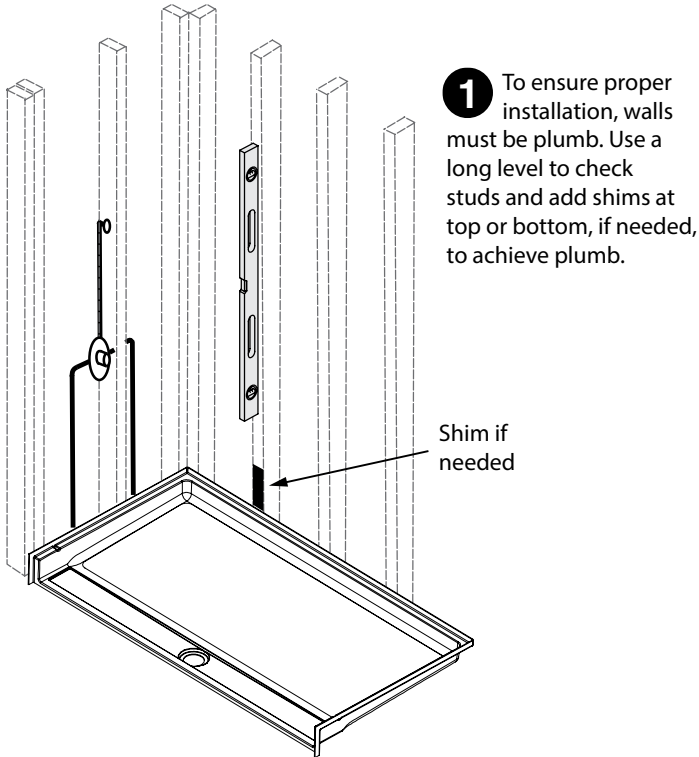
- 9 Remove inside compression nut and compression gasket.
- 10 Apply silicone or plumber's putty around shower drain hole, on the inside of shower only.
- 11 Install drain body in shower drain hole.
- 12 Install rubber gasket, fiber gasket and locking nut; tighten locking nut.
- 13 Install shower over drain pipe (or install pipe later.)
- 14 Slide inside compression gasket into drain body and slip over pipe. **Make sure beveled end of inside compression gasket is facing up and is flush with pipe surface.**
- 15 Tighten inside compression nut into drain body using the tool provided.



- 16 Gently place grate over drain. No hardware required for grate installation.



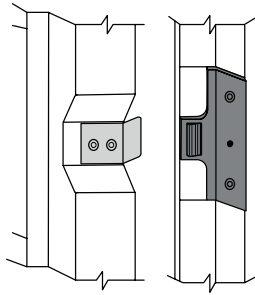
INSTALLING SHOWER WALLS



Multi-Piece Shower System with Trench Drain

INSTALLING SHOWER WALLS (CONTINUED)

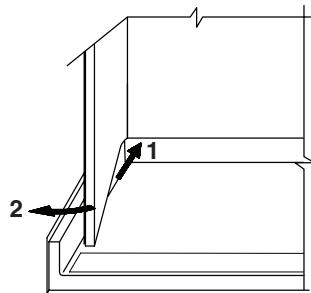
- 5A SnapJoint Walls:** If your walls have the SnapJoint hardware shown below, proceed with steps A1 and A2.



A1 Installing valve wall:

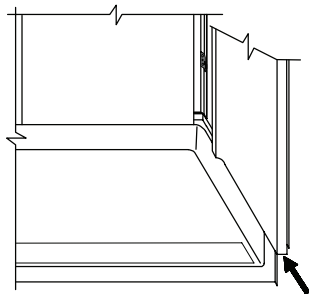
If parts of the shower valve and/or pipe nipple stick out:

- (1) Completely insert side wall at an angle to clear plumbing.
- (2) Rotate the wall into place;
- (3) Push wall until front is flush with pan.

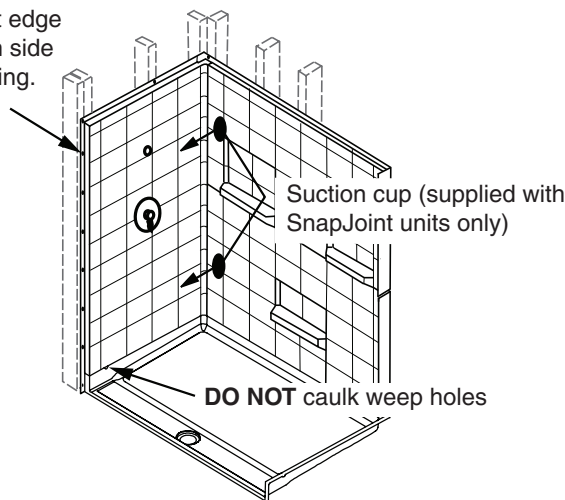


A2 Installing non-valve wall:

Rest side wall on pan ledge, then push it into the wall channel until front is flush with pan.

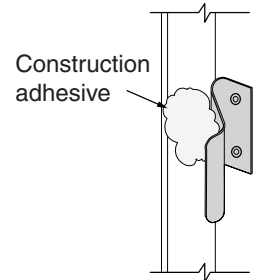


- 6** With walls firmly pushed down and front edge of side wall aligned with front edge of pan, screw through side wall flanges into framing.



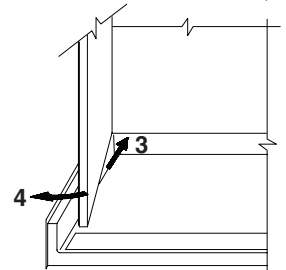
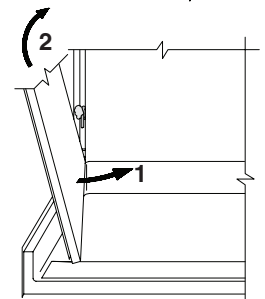
- 5B SpringClip Walls:** If your walls have the SpringClip hardware shown below, proceed with steps B1 - B3.

- B1** Unless you are doing a dry fit first, apply a generous dollop of construction adhesive (included) between the flange and the back of each SpringClip as shown. After applying the adhesive, proceed directly to step B2.



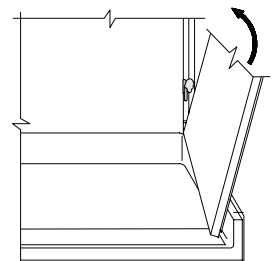
B2 Installing valve wall:

- (1) Holding side wall angled inward, insert it at the lowest SpringClip first.
- (2) Pivot the wall up to engage the remaining clips.
- (3) Keep side wall completely inserted but still angled to clear the shower valve and/or pipe nipple.
- (4) Rotate wall over plumbing. Push wall in until front is flush with pan.



B3 Installing non-valve wall:

Holding side wall angled inward, insert it at the lowest SpringClip first, then rotate wall in to insert it at the higher clips. Push wall in until front is flush with pan.



- 7 For SnapJoint Walls ONLY:** With a suction cup on lower back wall panel, pull it firmly forward until back and side walls are pulled together. You will hear a series of clicks as the panel locking clip engages. Repeat with upper panel.

- 8** Screw top flange of back wall to studs.

- 9** Apply silicone caulk in all joints **except weep holes**, which are located near the front on the seam between the pan and side wall.