

INSTALLATION INSTRUCTIONS

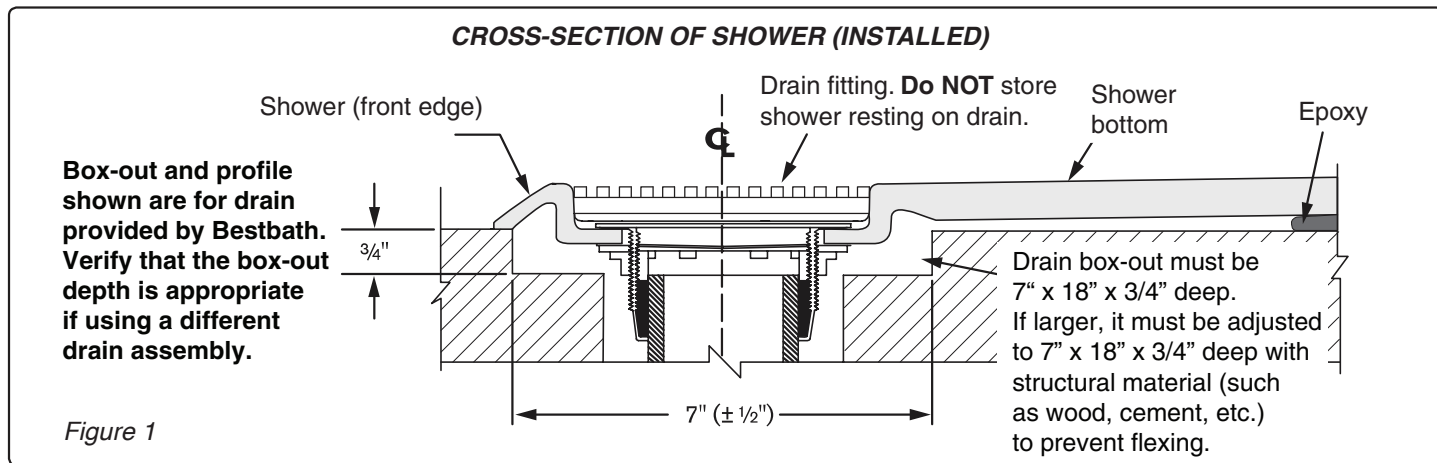
Single- Piece Shower With Trench Drain V3

for models requiring 7"x18" box-out

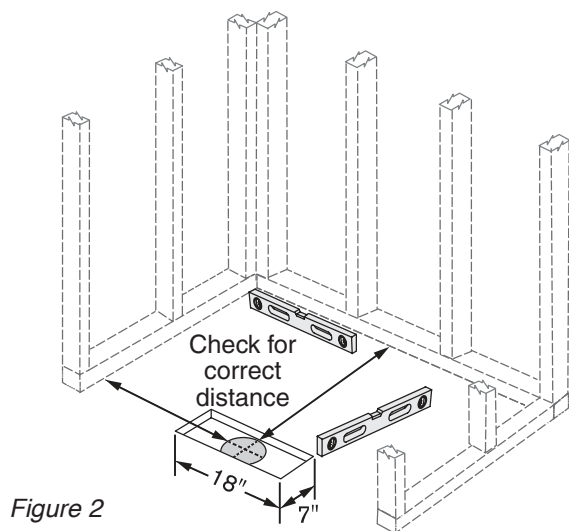


1129

CAUTION: IF NOT INSTALLED PROPERLY, THE SHOWER MAY NOT PERFORM AS DESIGNED AND WILL NOT BE COVERED BY THE WARRANTY.

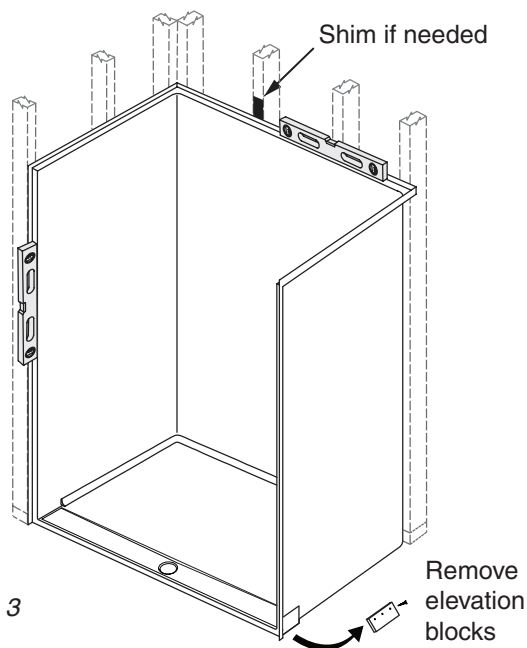


- 1 Check the shower pocket area and box-out for level and for correct dimensions. Make sure drain hole in floor is the correct distance from studs and is centered in the 7"x18" box-out. The floor must be within 1/8" of level, especially around the drain box-out. There must be no high spots, especially around the drain box-out.

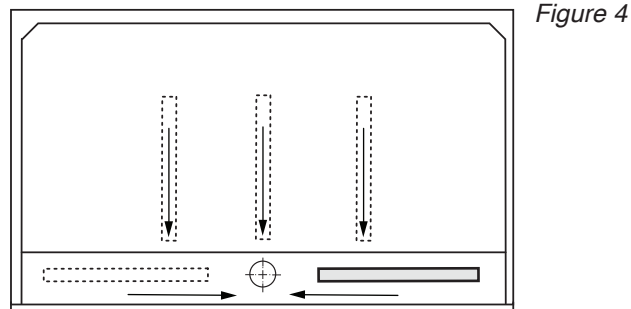


! Box-out must be 7" x 18" x 3/4" deep. Drain pipe must be centered in box-out.

- 2 **DRY-FIT THE SHOWER:** Unscrew and remove any elevation blocks at the front sides and back (see Figure 3). Then, set shower in the pocket and use a level to ensure the unit is level and positioned correctly. If the unit is out of level, re-check the subfloor to ensure that it meets the required specifications. Shimming is allowed on the back leveling blocks up to 1/8".



- 3 Place a level as shown in Figure 4 and verify that there is slope towards the drain.



Single-Piece Shower with Trench Drain V3

- 4** Once the unit is level and the slope has been verified, draw a line on the floor along the shower entry. Then, tip the unit forward as shown. Have a plumber install the drain fitting in the shower bottom and prepare the drain pipe to receive the drain. (see steps 10-13 on page 3 for no-caulk drain installation). **DO NOT LET THE SHOWER REST ON THE DRAIN.** This will cause the shower bottom to deform.

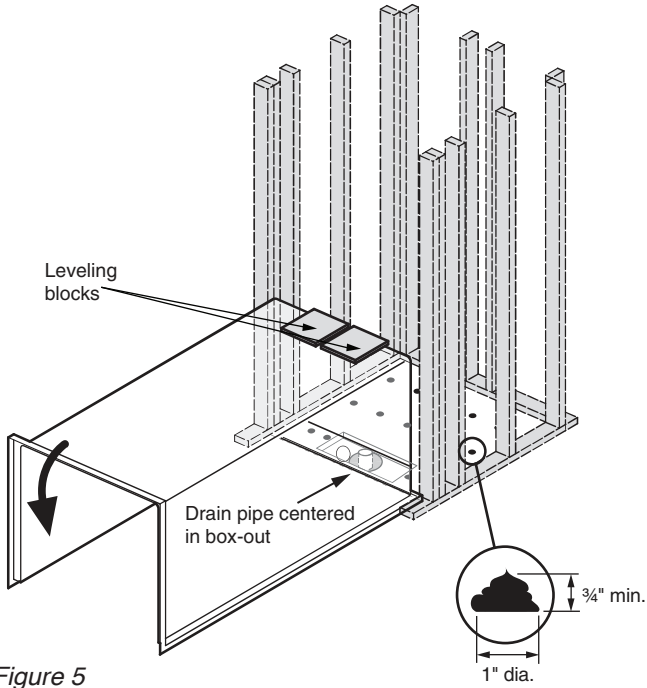


Figure 5

- 5** Sweep the subfloor and remove all debris from the pocket area and the underside of the unit so the supplied epoxy will adhere properly. The floor may be damp, but there should be no standing water. The image below shows the epoxy pattern required for installation.

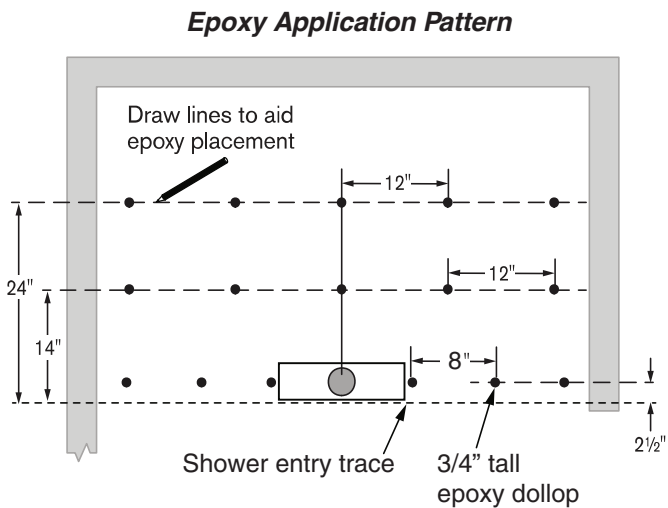


Figure 6

- 6 TIP SHOWER UP** into position. Make sure it aligns with line drawn in Step 4. **Avoid stepping in shower until epoxy has cured.**

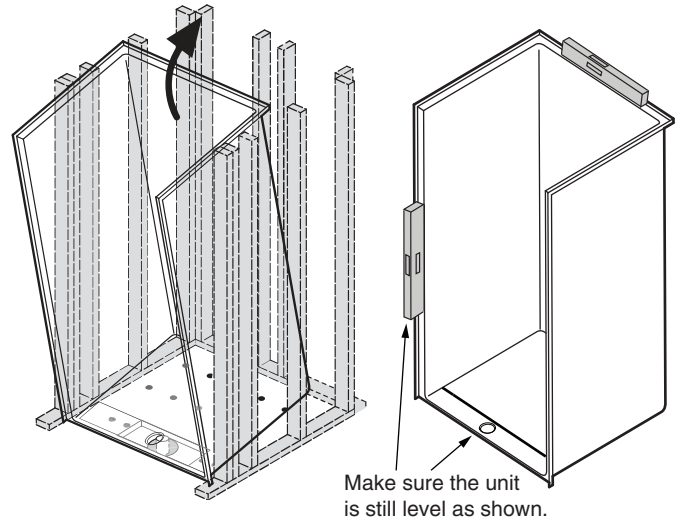


Figure 7

- 7** Place 50 pounds of weight over the drain area, as shown in Figure 8 to ensure that the unit is making contact with the epoxy.

! DO NOT walk in shower until epoxy has cured.

TIP: To monitor cure time, place epoxy between two pieces of scrap wood, squeeze wood to be approximately 1/8" apart.

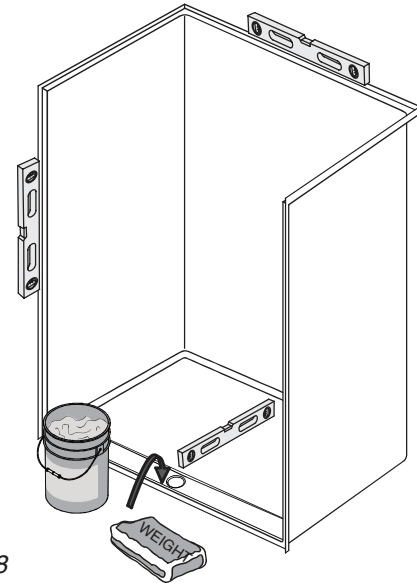


Figure 8

Weight Recommendations

An initial weight of roughly 50 pounds is required to bond the unit to the subfloor. Use a level to make sure there is slope to the drain; the level should sit flat against the shower floor (without rocking).

Single -Piece Shower with Trench Drain V3

- 8 Pour water or check the shower floor with a level to ensure proper drainage. If in doubt, remove the unit and review the previous steps.
- 9 Monitor the cure time samples from step 7. When the pieces of scrap wood are bonded and epoxy is hard, remove the weight and screw flanges to framing 12" on center max vertically and horizontally at each stud. Pre-drill flanges to avoid cracking the gel coat.

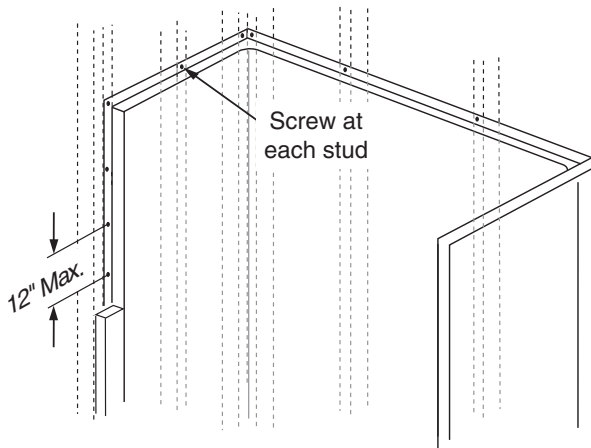
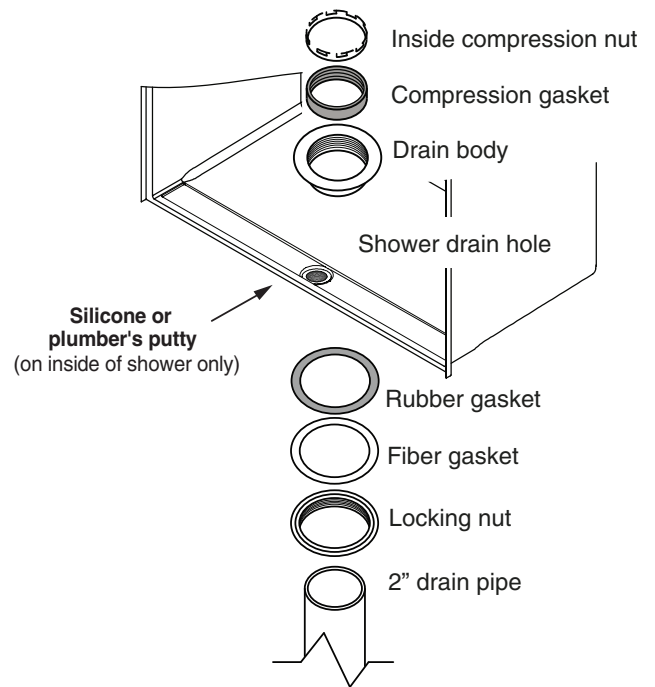


Figure 9

No-Caulk Drain Installation

- 10 Remove inside compression nut and compression gasket.
- 11 Apply silicone or plumber's putty around shower drain hole, on the inside of shower only.
- 12 Install drain body in shower drain hole.
- 13 Install rubber gasket, fiber gasket and locking nut; tighten locking nut.
- 14 Install shower over drain pipe (or install pipe later.)
- 15 Slide inside compression gasket into drain body and slip over pipe. **Make sure beveled end of inside compression gasket is facing up and is flush with pipe surface.**
- 16 Tighten inside compression nut into drain body using the tool provided.



- 17 Gently place grate over drain. No hardware required for grate.

