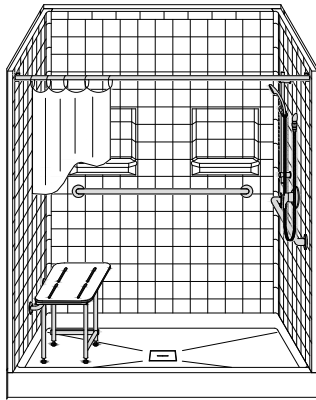


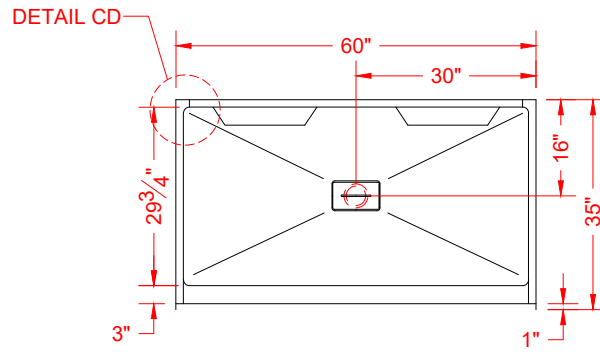
MODEL: 5LRS6034SQAFR*

REMODELER

*ALL ACCESSORIES OPTIONAL



PERSPECTIVE VIEW - N.T.S.

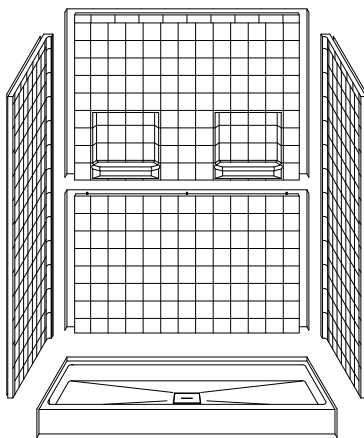


TOP VIEW - SCALE $\frac{3}{8}'' = 1'-0''$

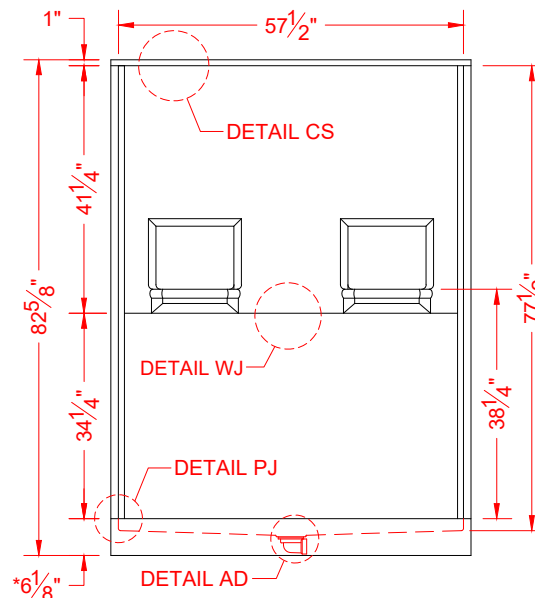


Features:

- Molded, five-piece gelcoat/fiberglass shower module
- "RealTile" wall finish, white (standard)
- Integral full wood backing for strength and unlimited accessory placement
- Above floor rough allows for a minimum of 3" clearance from the bottom of the drain recess to the sub floor



ASSEMBLY VIEW - N.T.S.



FRONT ELEVATION - SCALE: $\frac{3}{8}'' = 1'-0''$

***OTHER THRESHOLD HEIGHTS AVAILABLE UPON REQUEST
MAX TRIM HEIGHT OF 7-1/2"**

* - SEE BACK FOR DETAIL SECTIONS

PRODUCT SPECIFICATIONS:

- Multi-piece shower module shall be constructed of gelcoat/fiberglass with full integral plywood backing
- Rough-In: Stud opening +1/4" -0" Nominal Dimensions.

C.S.I. FORMAT SPECIFICATION TEXT AVAILABLE

PRODUCT INFORMATION:

- Accessories: Factory installed, unless prone to damage during installation/shipping. Polished chrome/satin stainless standard, others available.
- Colors: White as standard, others to match any major fixture manufacturer, also available with sprayable solid surface in many colors

OPTIONAL ACCESSORIES:

- INSTALLED BY OTHERS:
- Seat, folding
 - Grab bar
 - Soap dish
 - Mixing valve, pressure-balancing, lever handle, pre-plumbed tee to supply elbow
 - Curtain rod brackets
 - Curtain and rod
 - Drain grate and No-caulk brass drain (INCLUDED)

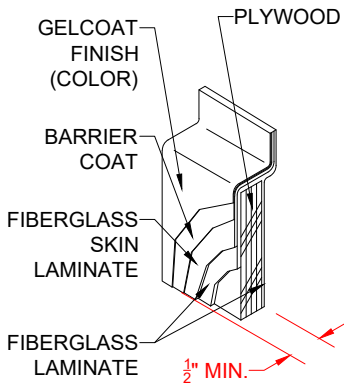
CODES:

- Designed and manufactured in compliance with the following standards and codes:
- ANSI Z124.2 Standards for Plastic Showers
 - IPC International Plumbing Code
 - UPC Uniform Plumbing Code

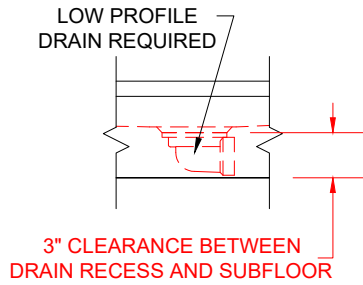
NOTICE OF LIMITATION:



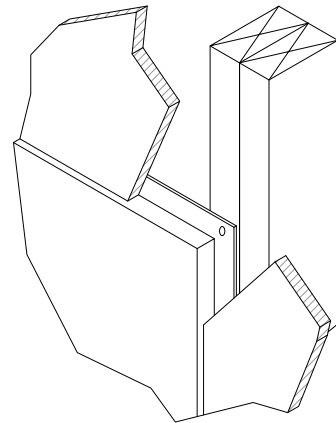
We reserve the right to make revisions without notice in the design of fixtures or in packaging unless this right has specifically been waived at the time the order is accepted.



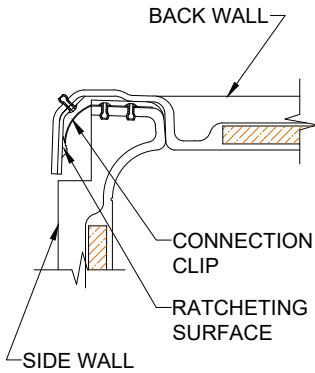
DETAIL CS - SCALE: N.T.S.
CROSS SECTION DETAIL



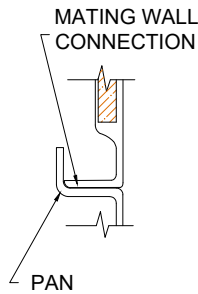
DETAIL AD - SCALE: N.T.S.
AFR DETAIL



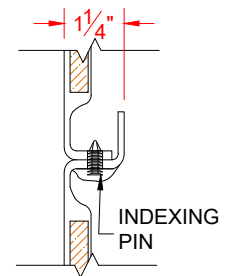
DETAIL DD - SCALE: N.T.S.
DRYWALL DETAIL



DETAIL CD - SCALE: 3" = 1'-0"
CORNER DETAIL



DETAIL PJ - SCALE: 3" = 1'-0"
PAN JOINT DETAIL



DETAIL WJ - SCALE: 3" = 1'-0"
WALL JOINT DETAIL