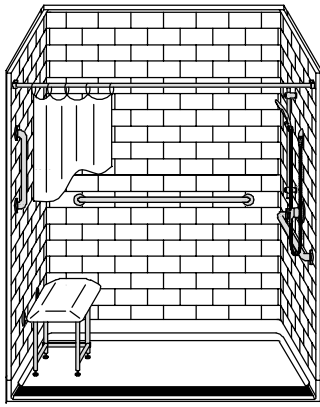


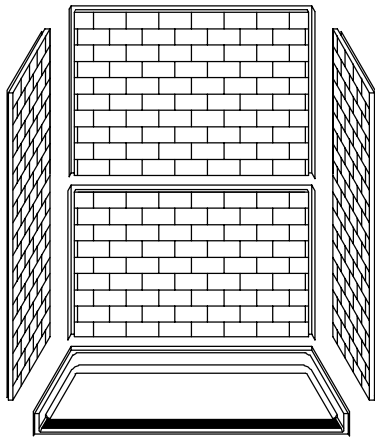
MODEL: 5LBS26036FB75FTB.V3*

BARRIER FREE

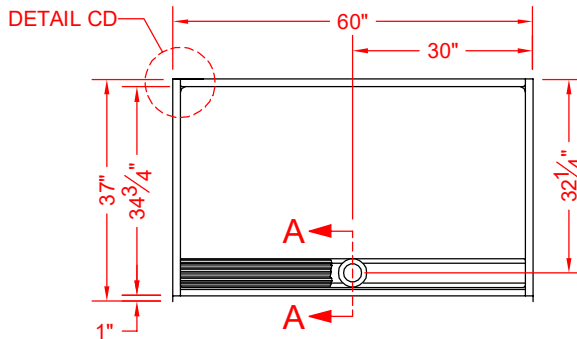
*ALL ACCESSORIES OPTIONAL



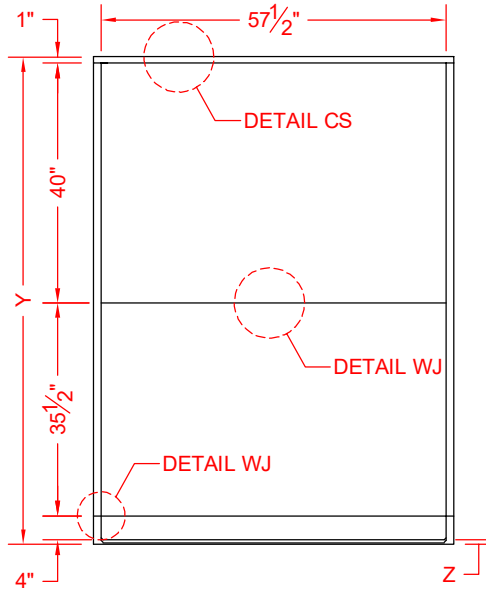
PERSPECTIVE VIEW - N.T.S.
MODEL SHOWN HERE AS:
RIGHT PLUMBING
LEFT SEAT



ASSEMBLY VIEW - N.T.S.



TOP VIEW - SCALE $\frac{3}{8}$ " = 1'-0"



FRONT ELEVATION - SCALE: $\frac{3}{8}$ " = 1'-0"



Features:

- Molded, five-piece gelcoat/fiberglass barrier free shower module with trench drain and stainless steel grate
- "Subway Tile" wall finish, white (standard)
- Integral full wood backing for strength and unlimited accessory placement
- Available in various threshold heights
- On all threshold heights 1-1/2" or taller, no mud set is required
- On all threshold heights 1-1/4" or shorter, no mud set is required and an anchoring adhesive kit is supplied

*OTHER THRESHOLD HEIGHTS AVAILABLE UPON REQUEST

MODEL #	UNIT HEIGHT	THRESHOLD HEIGHT
5LBS26036FB75FTB.V3	Y	Z*
5LBS26036FB2FTB.V3	81-1/4"	3/4" MIN
	82-1/2"	2" MAX

* - SEE BACK FOR DETAIL SECTIONS

PRODUCT SPECIFICATIONS:

- Multi-piece shower module shall be constructed of gelcoat/fiberglass with full integral plywood backing and have a stainless steel trench drain grate.
- Rough-In: Stud opening +1/4" / -0" nominal dimensions.

C.S.I. FORMAT SPECIFICATION TEXT AVAILABLE

PRODUCT INFORMATION:

- Accessories: Polished chrome/satin stainless standard, others available.
- Colors: White as standard, others to match any major fixture manufacturer, also available with sprayable solid surface in many colors
- Custom curb heights, other than shown, are available (between min. and max.)

OPTIONAL ACCESSORIES:

INSTALLED BY OTHERS:

- Seat, folding
- Grab bar
- Soap dish
- Mixing valve, pressure-balancing, lever handle, pre-plumbed tee to supply elbow
- Curtain rod brackets
- Curtain and rod
- Trench grate and No-caulk brass drain (INCLUDED)

CODES:

- Designed and manufactured in compliance with the following standards and codes:
- ANSI Z124.2 Standards for Plastic Showers
- ANSI A117.1 B - Accessible and Usable Buildings and Facilities
- IPC International Plumbing Code
- UPC Uniform Plumbing Code

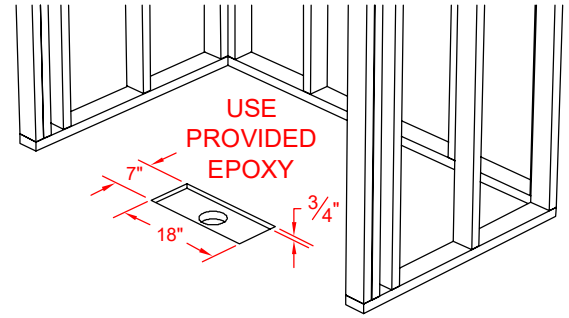
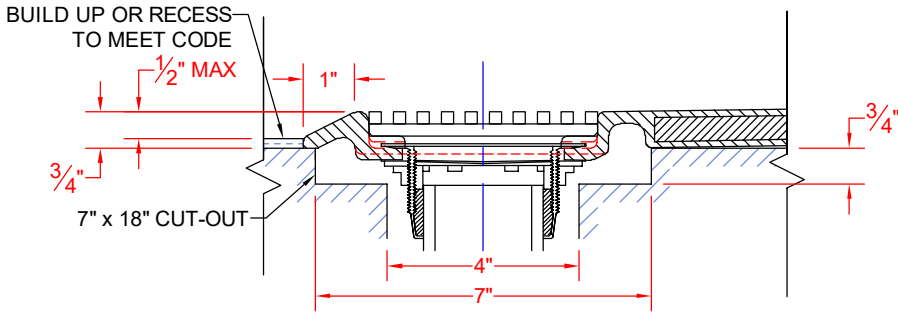
NOTICE OF LIMITATION:

- Adhere to floor as required



We reserve the right to make revisions without notice in the design of fixtures or in packaging unless this right has specifically been waived at the time the order is accepted.

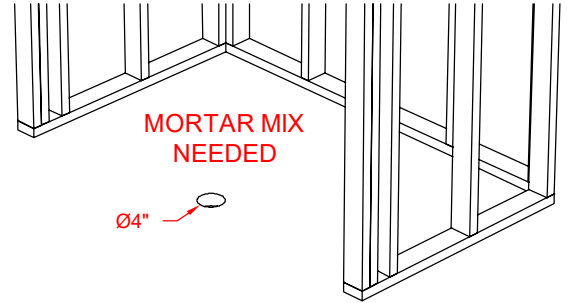
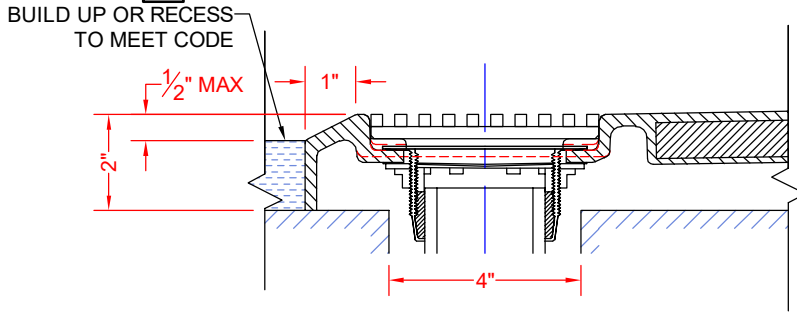
5LBS26036FB75FTB.V3



FOR MODELS ENDING IN A75FT*.V3,
INSTALLATION REQUIRES A 7" x 18" x 3/4" CUT-OUT.

SECTION A-A - SCALE: 3" = 1'-0"

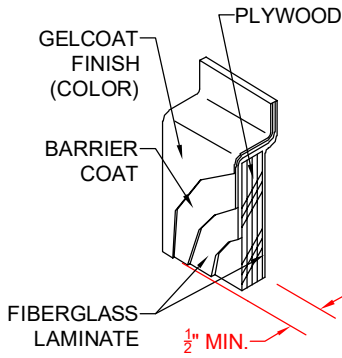
5LBS26036FB2FTB.V3



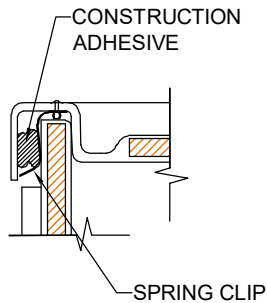
FOR MODELS ENDING IN A15FT*.V3, A17FT*.V3, OR A2FT*.V3,
INSTALLATION REQUIRES A 4" DRAIN HOLE.

SECTION A-A - SCALE: 3" = 1'-0"

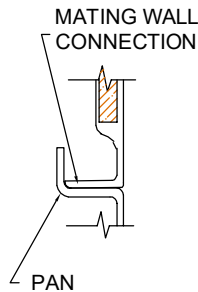
****OTHER THRESHOLD HEIGHTS AVAILABLE UPON REQUEST****



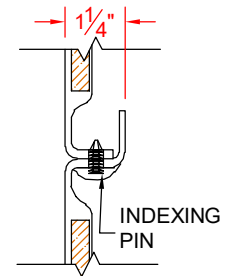
DETAIL CS - SCALE: N.T.S.
CROSS SECTION DETAIL



DETAIL CD - SCALE: 3" = 1'-0"
CORNER DETAIL



DETAIL PJ - SCALE: 3" = 1'-0"
PAN JOINT DETAIL



DETAIL WJ - SCALE: 3" = 1'-0"
WALL JOINT DETAIL