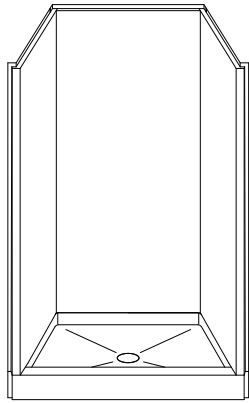


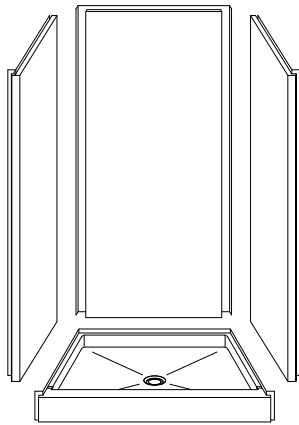
MODEL: 4LSS4238FBAFR*

REMODELER

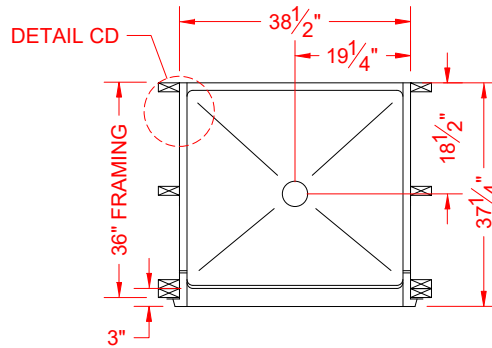
*ALL ACCESSORIES OPTIONAL



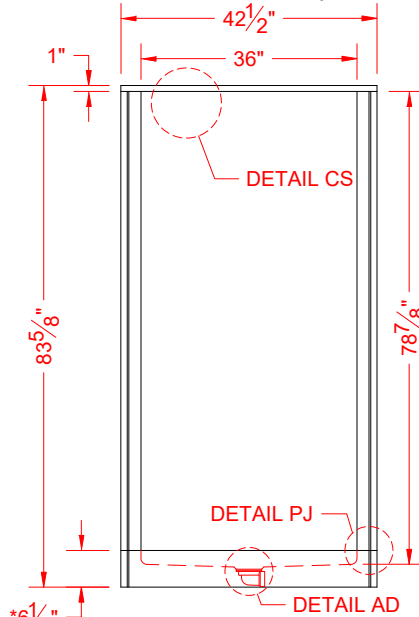
PERSPECTIVE VIEW - N.T.S.



ASSEMBLY VIEW - N.T.S.



TOP VIEW - SCALE $\frac{3}{8}'' = 1'-0''$



FRONT ELEVATION - SCALE: $\frac{3}{8}'' = 1'-0''$



Features:

- Molded, four-piece gelcoat/fiberglass wall surround
- "Smooth" wall finish, white (standard)
- Integral full wood backing for strength and unlimited accessory placement
- Above floor rough allows for a minimum of 3" clearance from the bottom of the drain recess to the sub floor

***OTHER THRESHOLD HEIGHTS AVAILABLE UPON REQUEST
MAX TRIM HEIGHT OF 7-1/2"**

* - SEE BACK FOR DETAIL SECTIONS

PRODUCT SPECIFICATIONS:

- Multi-piece wall surround shall be constructed of gelcoat/fiberglass with full integral plywood backing in the walls
- Rough-In: Stud opening +1/4" -0" Nominal Dimensions.

C.S.I. FORMAT SPECIFICATION TEXT AVAILABLE

PRODUCT INFORMATION:

- Accessories: Polished chrome/satin stainless standard, others available.
- Colors: White as standard, others to match any major fixture manufacturer, also available with sprayable solid surface in many colors

OPTIONAL ACCESSORIES:

INSTALLED BY OTHERS:

- Seat, folding
- Grab bar
- Soap dish
- Mixing valve, pressure-balancing, lever handle, pre-plumbed tree to supply elbow
- Curtain rod brackets
- No-caulk brass drain

CODES:

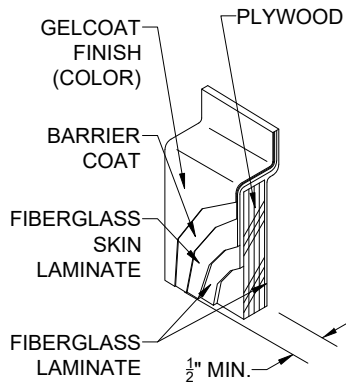
- Designed and manufactured in compliance with the following standards and codes:
- ANSI Z124.2 Standards for Plastic Showers
- ANSI A117.1 B - Accessible and Usable Buildings and Facilities
- IPC International Plumbing Code
- UPC Uniform Plumbing Code

NOTICE OF LIMITATION:

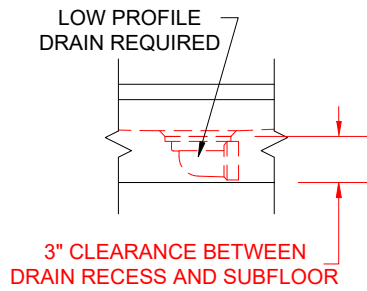
- Reveal not recommended on common wall



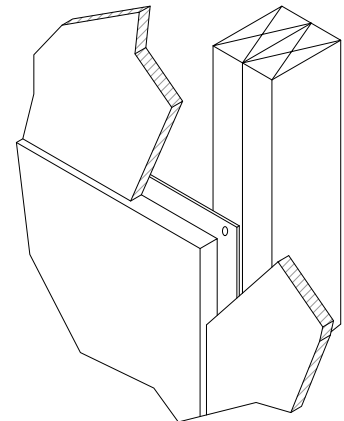
We reserve the right to make revisions without notice in the design of fixtures or in packaging unless this right has specifically been waived at the time the order is accepted.



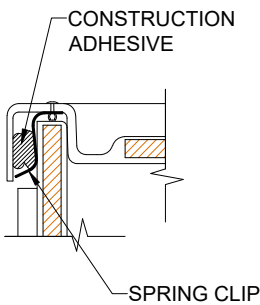
DETAIL CS - SCALE: N.T.S.
CROSS SECTION DETAIL



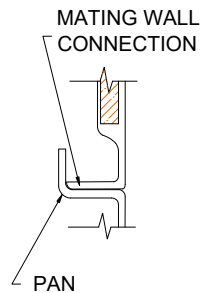
DETAIL AD - SCALE: N.T.S.
AFR DETAIL



DETAIL DD - SCALE: N.T.S.
DRYWALL DETAIL



DETAIL CD - SCALE: 3" = 1'-0"
CORNER DETAIL



DETAIL PJ - SCALE: 3" = 1'-0"
PAN JOINT DETAIL