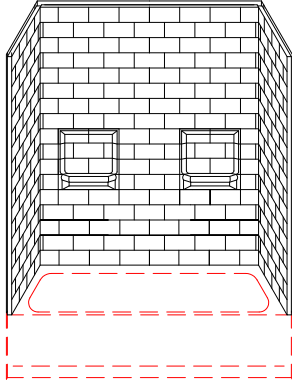


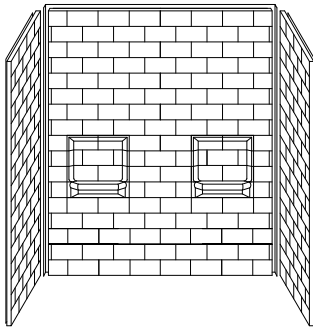
MODEL: 3BWS6032*

REMODELER

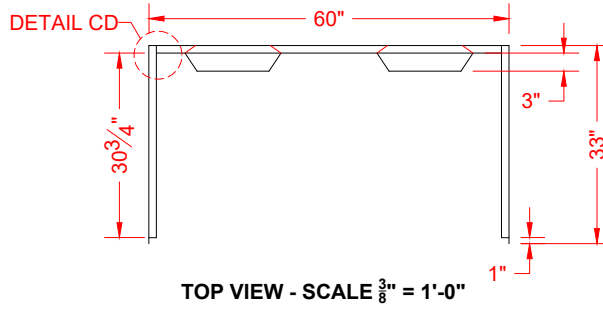
*ALL ACCESSORIES OPTIONAL



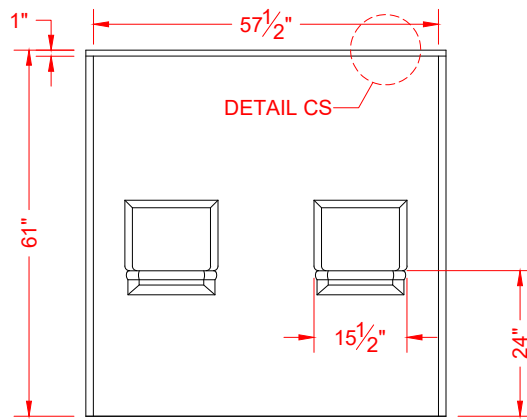
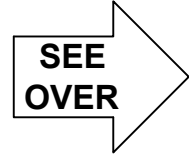
PERSPECTIVE VIEW - N.T.S.



ASSEMBLY VIEW - N.T.S.



TOP VIEW - SCALE $\frac{3}{8}'' = 1'-0''$



FRONT ELEVATION - SCALE: $\frac{3}{8}'' = 1'-0''$

Features:

- Multi-piece gelcoat/fiberglass bathtub wall surround
- "Subway Tile" wall finish, white (standard)
- Integral full wood backing for strength and unlimited accessory placement
- The authentic look of ceramic tile without the grout

* - SEE BACK FOR DETAIL SECTIONS

PRODUCT SPECIFICATIONS:

- Multi-piece wall surround shall be constructed of gelcoat/fiberglass with full integral plywood backing in the walls
- Door opening 57-1/2" x 59-3/4"
- Rough-In: Stud opening +1/4" -0" Nominal Dimensions.
- C.S.I. FORMAT SPECIFICATION TEXT AVAILABLE

PRODUCT INFORMATION:

- Accessories: Factory installed, unless prone to damage during installation/shipping. Polished chrome/satin stainless standard, others available.
- Colors: White as standard, others to match any major fixture manufacturer, also available with sprayable solid surface in many colors

OPTIONAL ACCESSORIES:

INSTALLED BY OTHERS:

- Grab bar
- Soap dish
- Mixing valve, pressure-balancing, lever handle, pre-plumbed tee to supply elbow
- Curtain rod brackets
- Flange trim kit

CODES:

Designed and manufactured in compliance with the following standards and codes:
 -CSA B45.5-11 / IAPMO Z124-11
 Plastic Plumbing Fixtures

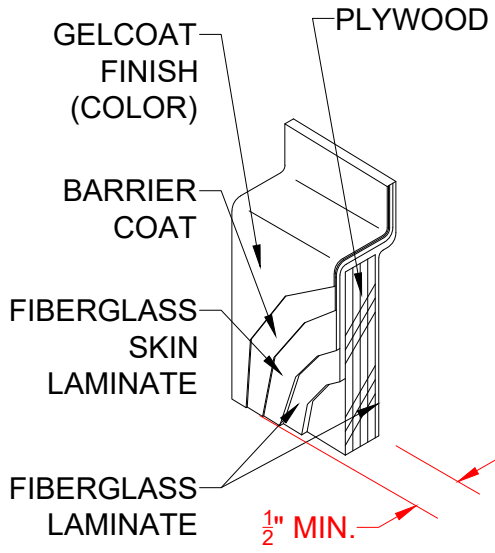
NOTICE OF LIMITATION:

Does not meet:
 -I.P.C. International Plumbing Code
 -U.P.C. Uniform Plumbing Code

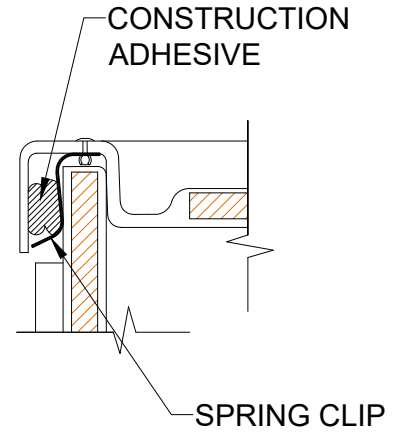


We reserve the right to make revisions without notice in the design of fixtures or in packaging unless this right has specifically been waived at the time the order is accepted.

REMODELER



DETAIL CS - SCALE: N.T.S.
CROSS SECTION DETAIL



DETAIL CD - SCALE: N.T.S.
CORNER DETAIL