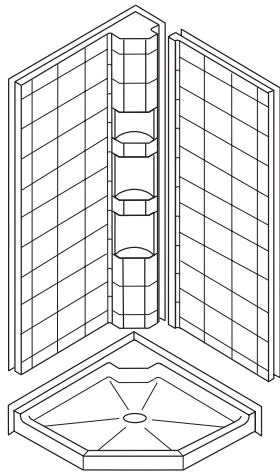


Multi-Piece Shower System

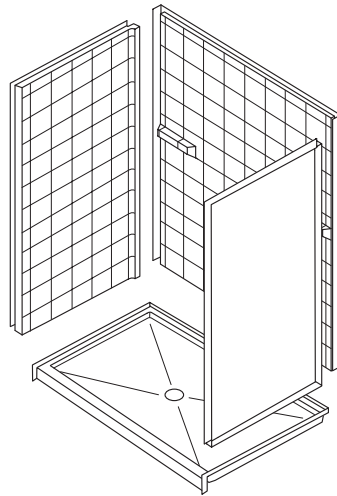
with solid core, reinforced pan



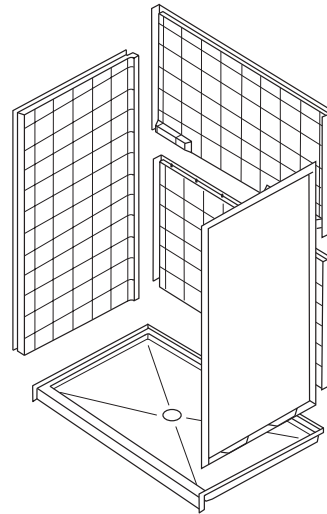
This packet includes installation instructions for the Bestbath® products shown below. (These instructions also available at www.bestbath.com)



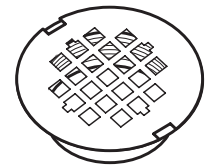
3-piece Multi-Piece Shower System



4-piece Multi-Piece Shower System



5-piece Multi-Piece Shower System



Optional No-Caulk Shower Drain

PRE-INSTALLATION PREP

1 CHECK PARTS INVENTORY

If any parts are damaged, immediately file a claim with the carrier. Minor damage (scuffs and scrapes) can be touched up later.

- Pan
- Side walls
- Back wall (1 or 2 pieces, depending on model)
- Joint sealant
- *Optional:* Flange trim kit for walls
- *Optional:* No-caulk drain

2 GATHER SUPPLIES

- Drywall screws (1½")
- Shim wedges
- Four pieces 2x4 lumber, 8 ft. long (for walls; see page 3)

Before you begin installation, please carefully read all instructions regarding the proper installation of your shower unit.

Preparing the Shower Pocket.....	2
Installing the Shower Pan.....	2
Installing Shower Walls.....	3–5
Installing Optional No-Caulk Drain.....	5

PREPARING SHOWER POCKET



Figure 1

- 1 Mark and cut out drywall to fit back and side walls of shower. Remove drywall 1" beyond side wall and top nailing flanges. (Figures 1 and 2)

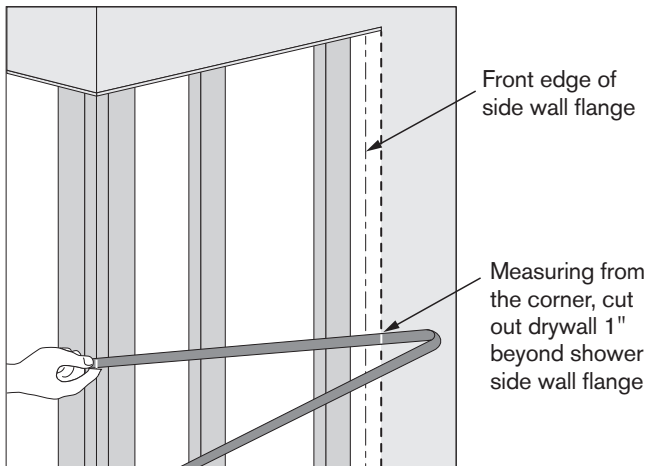


Figure 2

- 2 Install studs to provide support for flange and drywall attachment. (Figure 3)

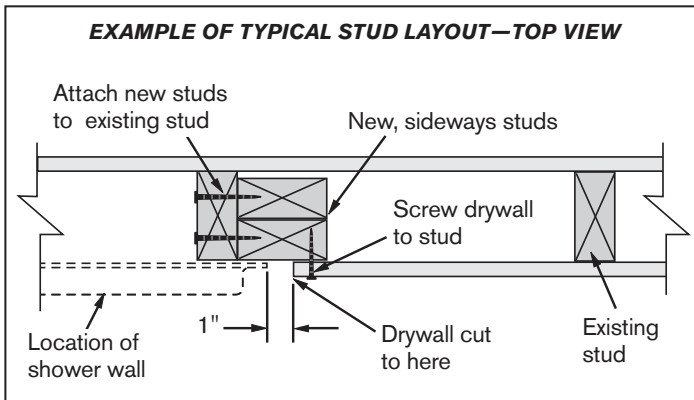


Figure 3

- 3 Rough in plumbing valve and drain per manufacturer's specifications.

INSTALLING SHOWER PAN



CAUTION: IF NOT INSTALLED PROPERLY, THE SHOWER PAN MAY NOT PERFORM AS DESIGNED AND WILL NOT BE COVERED BY THE WARRANTY.

- 1 Check shower pocket area for level and for correct dimensions. Make sure drain hole in floor is in the correct position.
- 2 **DRY-FIT THE PAN:** Set pan in the pocket. You **MUST** either dry-fit the shower walls or use a level to ensure pan is level. Shim if necessary. (Figure 4)

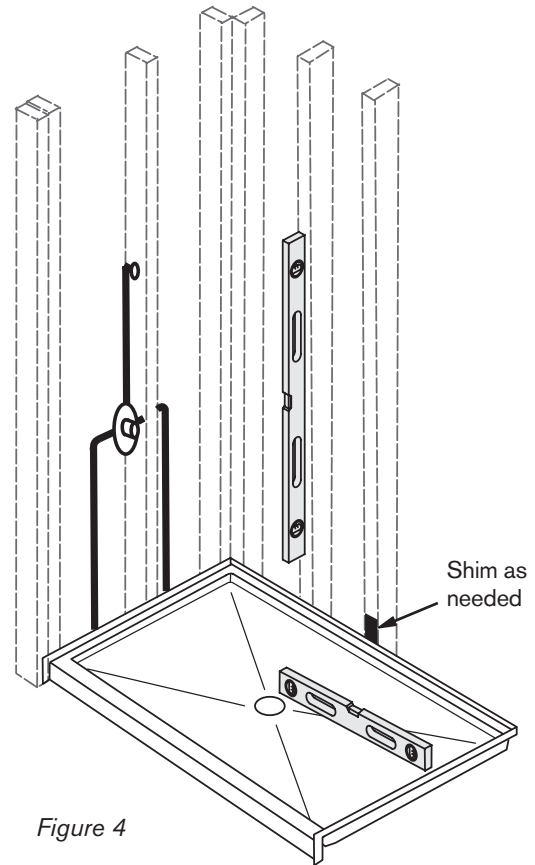


Figure 4

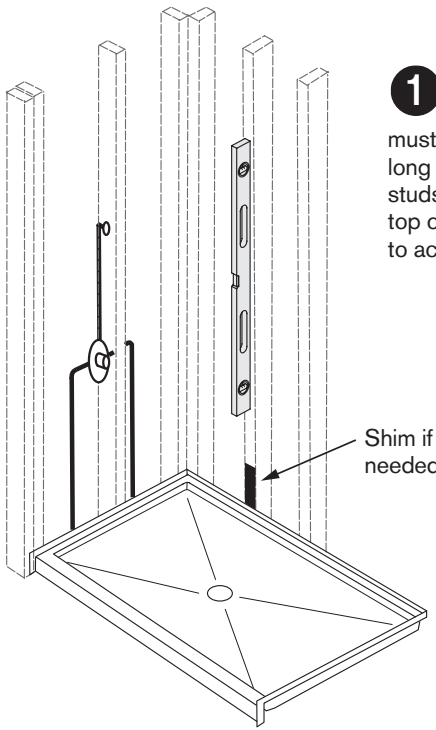
- 3 Remove pan from the framing pocket. Have a plumber install drain fitting in pan (see page 5 for how to install optional no-caulk drain). Plumber should also prepare drain pipe to receive the drain.



To avoid deformation, DO NOT rest the pan on the drain.

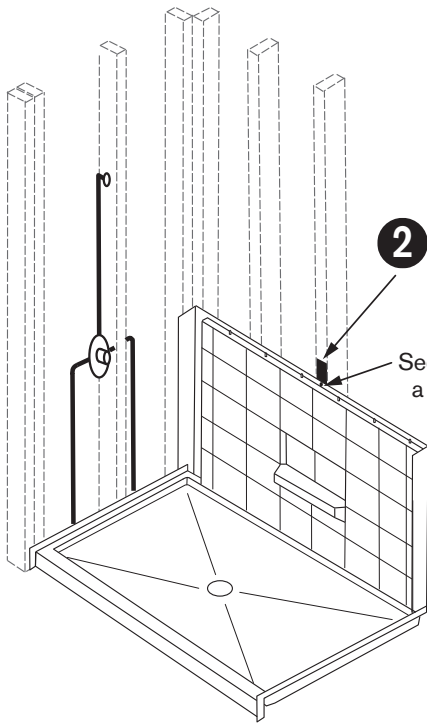
- 4 Sweep the floor and remove all debris from pocket area, then position pan in pocket.
- 5 Make sure floor drains properly by pouring water on it or checking it with a level. If in doubt, remove pan and review the previous steps.
- 6 Screw flanges to framing.
- 7 Proceed to wall installation (see page 3).

INSTALLING SHOWER WALLS



1 To ensure proper installation, walls must be plumb. Use a long level to recheck studs and add shims at top or bottom, if needed, to achieve plumb.

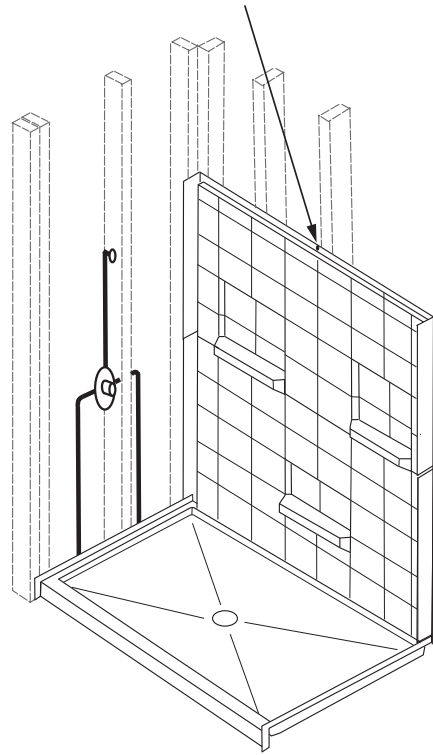
Shim if needed



2 Place lower back wall panel. Shim if needed to ensure plumb.

Secure panel with a single screw in center stud.

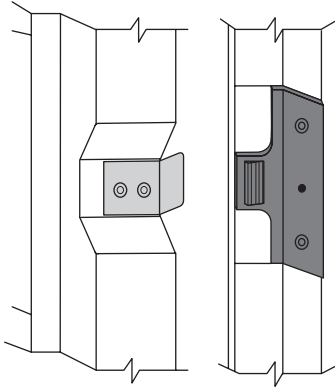
3 Place upper panel and hold it in place with one screw near the center. Do not completely tighten screw. Add shims to keep wall straight if needed.



4 Drill plumbing holes in side wall panel; then proceed to side wall installation (Step 5 on page 4).

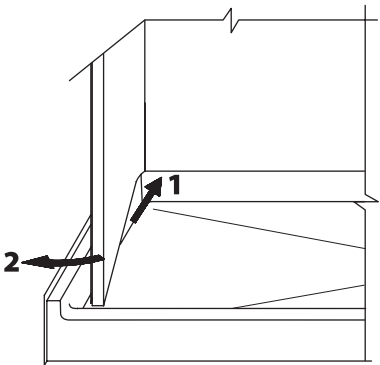
INSTALLING SHOWER WALLS (CONTINUED)

5A SnapJoint Walls: If your walls have the SnapJoint hardware shown below, proceed with steps A1 and A2.



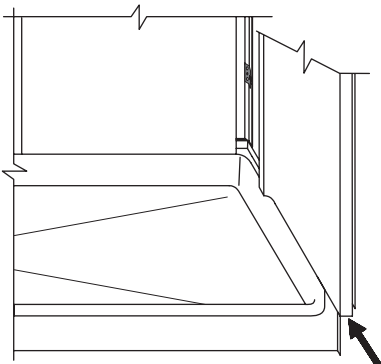
A1 Installing valve wall:

If parts of the shower valve and/or pipe nipple stick out:
(1) Completely insert side wall at an angle to clear them;
(2) Rotate the wall into place;
 Push wall until front is flush with pan.



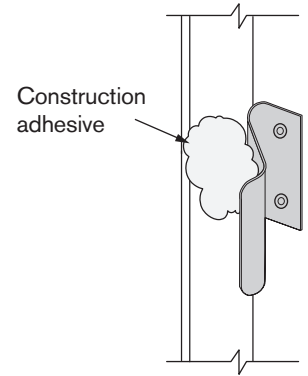
A2 Installing non-valve wall:

Rest side wall on pan ledge, then push it into the wall channel until front is flush with pan.



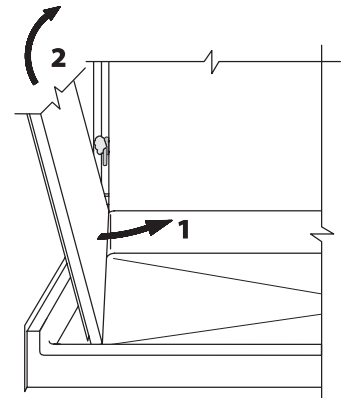
5B SpringClip Walls: If your walls have the SpringClip hardware shown below, proceed with steps B1–B3.

B1 Unless you are doing a dry fit first, apply a generous dollop of construction adhesive (included) between the flange and the back of each SpringClip as shown. After applying the adhesive, proceed directly to step B2.

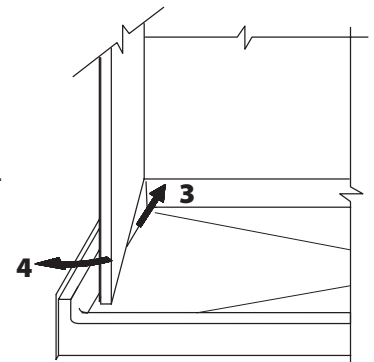


B2 Installing valve wall:

(1) Holding side wall angled inward, insert it at the lowest SpringClip first.
(2) Pivot the wall up to engage the remaining clips.

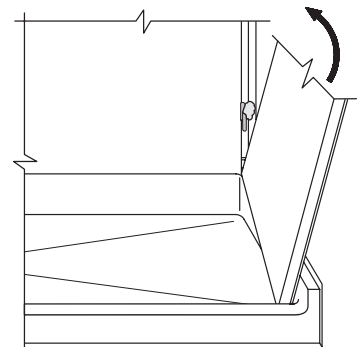


(3) Keep side wall completely inserted but still angled to clear the shower valve and/or pipe nipple.
(4) Rotate wall over plumbing. Push wall in until front is flush with pan.



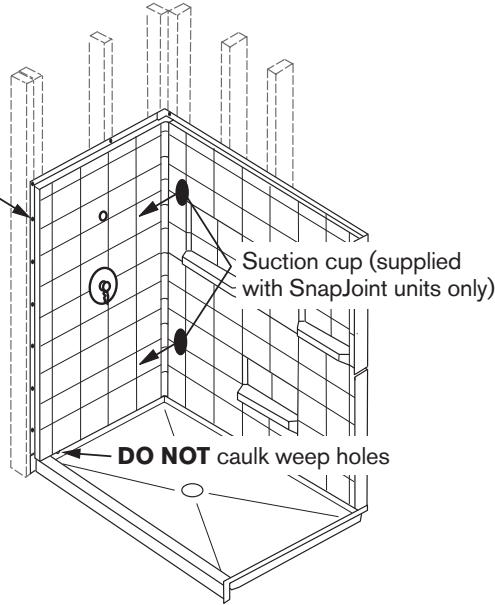
B3 Installing non-valve wall:

Holding side wall angled inward, insert it at the lowest SpringClip first, then rotate wall in to insert it at the higher clips. Push wall in until front is flush with pan.



INSTALLING SHOWER WALLS (CONTINUED)

6 With walls firmly pushed down and front edge of side wall aligned with front edge of pan, screw through side wall flanges into framing.

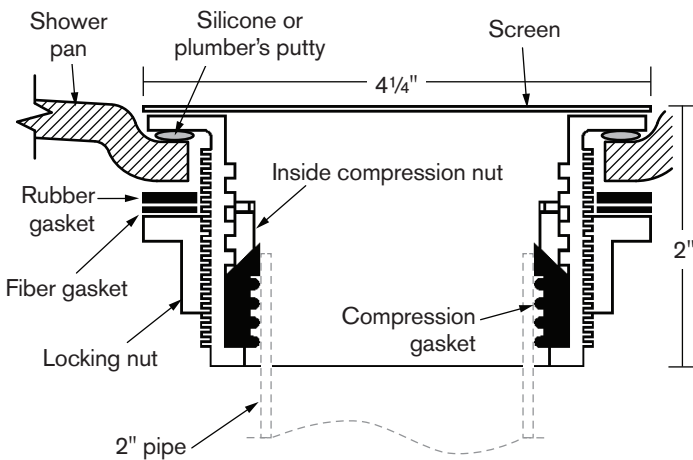


7 For SnapJoint Walls ONLY: With a suction cup on lower back wall panel, pull it firmly forward until back and side walls are pulled together. You will hear a series of clicks as the panel locking clip engages. Repeat with upper panel.

8 Screw top flange of back wall to studs. Apply silicone caulk in all joints **except weep holes**, which are located near the front on the seam between the pan and side wall.

INSTALLING OPTIONAL NO-CAULK SHOWER DRAIN

CROSS-SECTION OF DRAIN (INSTALLED)



- 1** Remove inside compression nut and compression gasket.
- 2** Apply silicone or plumber's putty around shower drain hole on the inside of shower only.
- 3** Install drain body in shower drain hole.
- 4** Install rubber gasket, fiber gasket and locking nut; tighten locking nut.
- 5** Install shower pan over drain pipe (or install pipe later.)
- 6** Slide inside compression gasket into drain body and slip over pipe. **Make sure beveled end of inside compression gasket is facing up and is flush with pipe surface.**
- 7** Tighten inside compression nut into drain body using the tool provided.

